



PROJECT: Clovis Unified School District 2021 Pavement Rehabilitation At Various Sites	OWNER: Clovis Unified School District 1450 Herndon Ave Clovis, CA 93611
ENGINEER: Blair, Church & Flynn Attention: Zachary Hockett Jenn Felix	BID NO: 2848 BCF PROJECT NO. 220-0329

It will be the responsibility of the General Contractor to submit the information contained in this addendum to all its subcontractors and suppliers. Acknowledge receipt of this Addendum in the space provided on the Bid Form. Failure to do so may subject Bidder to disqualification. The following additions, deletions, and revisions to the Drawings and Project Manual are hereby made and do become a part of these Contract Documents.

TABLE OF CONTENTS

BID QUESTIONS

- AD4-Q1: Turf Improvements at Reagan Elementary
- AD4-Q2: Pavement Fabric

ATTACHMENTS

- AD4-X1: Rotor Head and Trenching Details*

BID QUESTIONS

AD4-Q1: Turf Improvements at Reagan Elementary

Q1: The plan RE-5.2 in addendum 2 added a call out for "Limits of Turf Improvements". What will the required work be for this area?

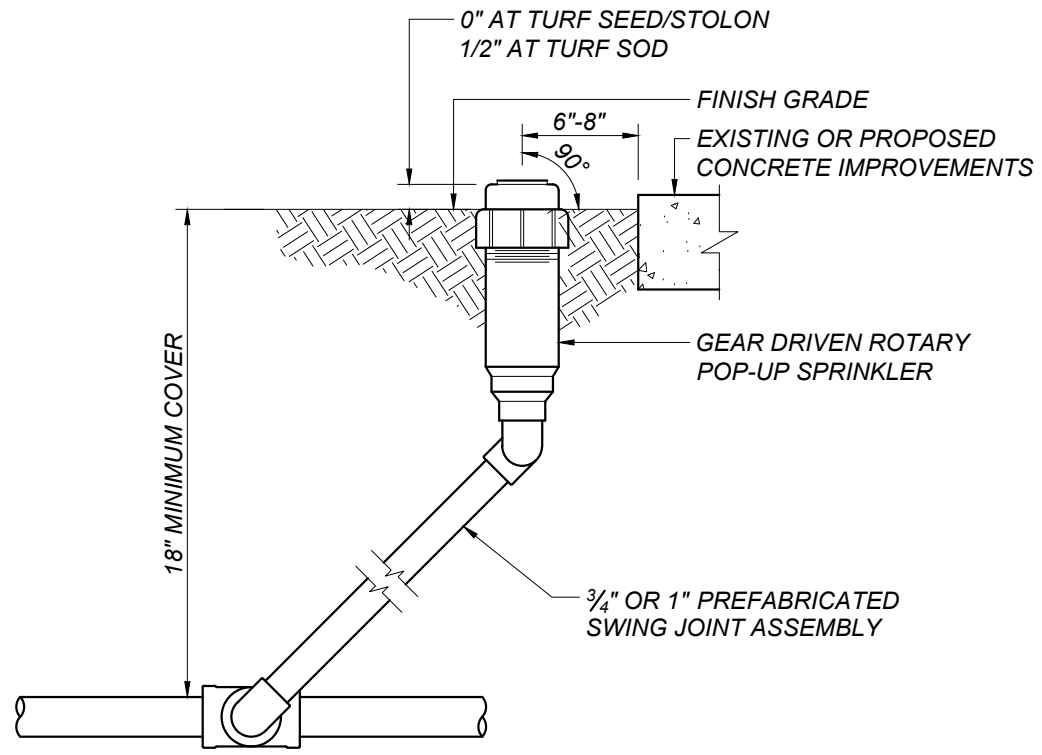
A1: The turf improvements will include the following:

- Remove the existing turf, irrigation lateral line, and rotor heads within the limits of removal
- Touch up the grading to coordinate with the adjacent proposed concrete sidewalk and relocated drain inlets.
- Provide new Hunter I25 Rotors and lateral line to match existing. Refer to attachments **AD4-X1: Rotor Head and Trenching Details** for additional installation information. Allow for 8 rotor heads.
- Provide Tiffway II Bermuda Grass Sod where shown on the site plan

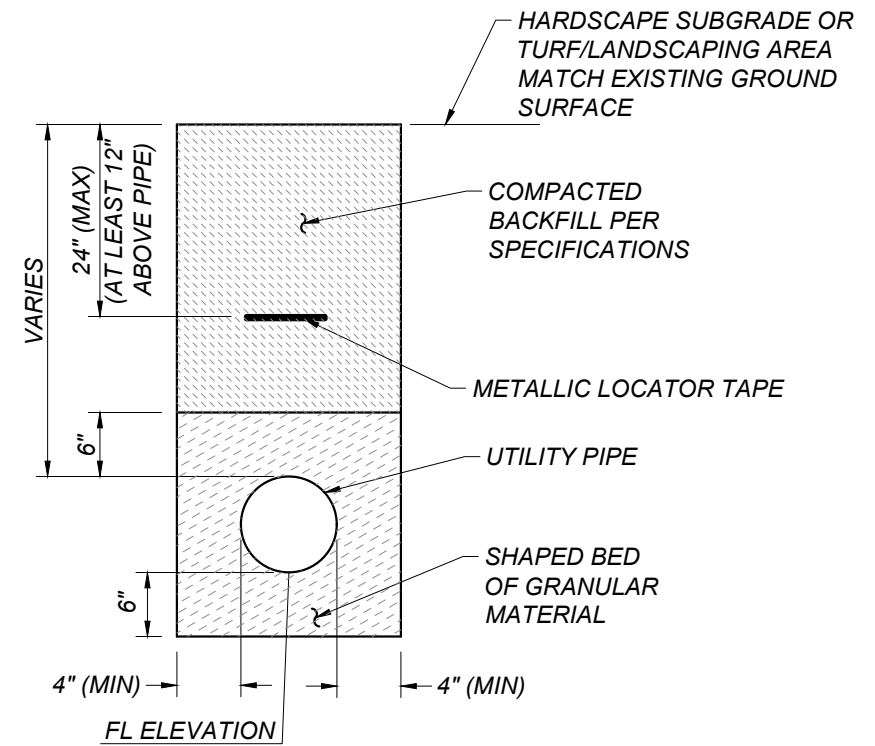
AD4-Q2: Pavement Fabric

Q2: Is there a specification for the pavement fabric?


A2: Provide **PETROMAT 4598 Paving Fabric**. Refer to the manufacturer's instructions for complete installation requirements.



A POP UP ROTOR
AD4-X1 NOT TO SCALE



B TRENCH DETAIL FOR UTILITY LINES
AD4-X1 NOT TO SCALE

	CONSULTANT Blair, Church & Flynn Consulting Engineers 481 Clovis Avenue, Suite 200 Clovis, California 93612 Tel: (509) 326-1400 Fax: (509) 326-1500	CLOVIS UNIFIED SCHOOL DISTRICT		
		2021 PAVEMENT MAINTENANCE AT VARIOUS SITES ADDENDUM #4		AD4-X1