

CLOVIS UNIFIED SCHOOL DISTRICT

BID PACKAGE FOR BID NUMBER 2913

District Fleet Vehicle Replacement

Eimear O'Brien, Ed.D.
Superintendent

Clovis Unified School District
1450 Herndon Avenue
Clovis, California 93611
(559) 327-9482

CLOVIS UNIFIED SCHOOL DISTRICT

BIDDING PACKAGE TABLE OF CONTENTS

DESCRIPTION

Notice To Bidder

Instructions To Bidders Bid

Proposal Form

Cost Analysis Form(s) if applicable

Specifications

Renewal Option Form

Non-collusion Affidavit

Sample Contracts

Addenda

CLOVIS UNIFIED SCHOOL DISTRICT
NOTICE TO BIDDER

The Board of Trustees of the Clovis Unified School District of Fresno County, California invites and will receive sealed proposals for **BID NO. 2913** for the award of **District Fleet Vehicle Replacement** on or before **2:00 PM, on October 21, 2022** in the Purchasing Department of Clovis Unified School District, 1450 Herndon Avenue, Clovis, California 93611, after which time and place the bids will be opened and read in public.

Bids must be accompanied by a bidder's bond, cashier's check or certified check in the amount of Five Thousand Dollars (\$5,000.00). The bidder's bond or certified check shall be made payable to the Clovis Unified School District and shall be given as a guarantee that the bidder will enter into a contract if awarded the work, and will be declared forfeited, paid to, or retained by the District as liquidated damages if the bidder refuses or neglects to enter into a contract on the terms of the accepted proposal within fourteen (14) calendar days after bidders notification of District's acceptance of the proposal. Bidders may not withdraw bids for a period of forty-five (45) days after the date set for opening of bids.

Bids shall be made on forms prepared by the Clovis Unified School District. Bid forms, specifications and further information may be obtained from Tracy Ogle, Buyer II, in the Purchasing Department, phone (559) 327-9482.

The District reserves the right to accept or reject any or all proposals, or any combination of proposals and to waive any irregularities or informalities which may be legally waived.

Published: Dates: (1) October 3, 2022 (2) October 10, 2022

CLOVIS UNIFIED SCHOOL DISTRICT

Michael Johnston
Associate Superintendent of Administrative Services

INSTRUCTIONS TO BIDDERS

Specifications and/or Documents are available at:

CLOVIS UNIFIED SCHOOL DISTRICT
Purchasing Department
1450 E. Herndon Avenue
Clovis, California 93611
ATTN: Tracy Ogle
Phone (559) 327-9482

Bid Proposal:

No bid proposals shall receive consideration by the Clovis Unified School District for Bid No. **2913** unless made in accordance with the following instructions:

1. Deadline For Receipt of Proposals. Bid proposals must be sealed and filed with the Purchasing Department located at 1450 Herndon Avenue, Clovis, California 93611, on or before 2:00 PM on October 21, 2022. All bids must be received on or prior to that date and time, after which bids will be opened and read in public. The District suggests that bids be hand delivered in order to insure their timely receipt.
2. Requests for Information. Any questions relative to the bid should be directed to the District Superintendent or designee at the address specified for receipt of bid proposals.
3. Bid Proposal Forms. Bid proposals must be made on a form obtained from the District. All items on the form should be filled out. Numbers should be stated in figures, and the signatures of all individuals must be in longhand. The completed form should be without interlineations, alterations, or erasures.
4. Noncollusion Affidavit. Each bidder must return a fully executed noncollusion affidavit, as required by Public Contract Code section 7106, with the completed bid proposal. The noncollusion affidavit is included in this bidding package.
5. Clarification's. Questions regarding documents, discrepancies, omissions or doubt as to meanings will be clarified by the District Superintendent or designee.
6. Execution of Forms. Each bid must give the full business address of the bidder and must be signed by the bidder with his or her usual signature. Bids by partnerships must furnish the full names of all partners and must be signed in the partnership name by a general partner with authority to bind the partnership in such matters. Bids by corporations must be signed with the legal name of the corporation, followed by the signature and designation of the president, secretary, or other person authorized to bind the corporation in this matter. The name of each person signing shall be typed or printed below the signature. When requested by the District, satisfactory evidence of the authority of the officer signing on behalf of the corporation shall be furnished. A bidder's failure to properly sign required forms may result in rejection of the bid.

7. Bid Security. For Aggregate 1 portion of the Bid only. Bid Proposals must be accompanied with a certified cashier's check, or original bidder's bond in the amount of Five Thousand Dollars (\$5,000.00.) The cashier's check or bid bond shall be made payable to the order of the Clovis Unified School District. If the bid bond accompanies the proposal, the bond shall be secured by a surety company satisfactory to the District. Failure to provide bid security or bid security in the proper amount may result in rejection of the bid.

8. Withdrawal of Bid Proposals. Bid proposals may be withdrawn by the bidders prior to the time fixed for the opening of bids, but may not be withdrawn for a period of Forty Five (45) days after the opening of bids. A successful bidder shall not be relieved of the bid submitted without the District's consent or bidder's recourse to Public Contract Code Section 5100 et. seq.

9. Addenda or Bulletins. Any addenda or bulletins issued during the time of bidding shall form a part of the drawings and specifications issued to bidders for the preparation of their proposals and shall constitute a part of the contract documents.

10. Award of Contract. The District reserves the right to reject any and all bid proposals, to contract work with whomever and in whatever manner the District decides, to abandon the work entirely and to waive any informality or non-substantive irregularity as the interest of the District may require. The District reserves the right to award this bid by line item or in total which ever may be in the best interest of the District.

11. Rejection of Bids. The District reserves the right to accept or reject any and all bids, or any portion or combination thereof, or award on the basis of the total bid.

12. Execution of Contract. The successful bidder shall, within fourteen (14) calendar days of notice of award of the contract, sign and deliver to the District the executed contract. In the event the bidder to whom an award is made fails or refuses to execute the contract within fourteen (14) calendar days from the date of receiving notification that the contract has been awarded to the bidder, the District may declare the bidder's bid deposit or bond forfeited as damages caused by the failure of the bidder to enter into the contract, and may award the work to the next lowest responsible bidder, or may reject all bids and call for new bids.

13. Drawings and Specifications. Each bidder shall not be required to return to the District all drawings and specifications in an un mutilated condition and without any marks or annotations. All drawings, specifications and other documents used or prepared during the project shall be the exclusive property of the District.

14. Evidence of Responsibility. Upon the request of the District, a bidder shall submit promptly to the District satisfactory evidence showing the bidder's financial resources, the bidder's experience in the type of work being required by the District, the bidder's organization available for the performance of the contract and any other required evidence of the bidder's qualifications to perform the proposed contract. The District may consider such evidence before making its decision awarding the proposed contract. Failure to submit evidence of a bidder's responsibility to perform the proposed contract may result in rejection of the bid.

15. Taxes. Taxes shall NOT be included in the unit prices of the materials, but may be provided as part of the Cost Analysis. The District will pay only the State sales and use taxes. Federal excise taxes are not applicable to school districts.

16. Bid Exception. All exceptions which are taken in response to this bid must be stated clearly. The taking of bid exceptions or providing false, incomplete or unresponsive statements may result in the disqualification of the bid. Allowance of exceptions will be determined by the Board of Trustees, whose decisions shall be final. Any bid exceptions or additional conditions requested after bid closure, which are not detailed within the bid response, may result in disqualification of the bid. No oral or telephonic modification of any bid submitted will be considered and a telegraphic modification may be considered only if the postmark evidences that a confirmation of the telegram duly signed by the bidder was placed in the mail prior to the opening of the bids.

17. Discounts. Any discount which the bidder desires to provide the District must be stated clearly on the bid form itself so that the District can calculate properly the net cost of the bid proposal. Offers of discounts or additional services not delineated on the bid form will not be considered by the District in the determination of the lowest responsible bidder.

18. Prices. Bidders must quote prices F.O.B. Clovis Unified School District unless otherwise noted. Prices should be stated in the units specified and bidders should quote each item separately.

19. Quantities. The quantities shown are approximate. The District reserves the right to increase or decrease quantities as desired.

20. Samples. On request, samples of the products being bid shall be furnished to the District at no charge.

21. Special Brand Names. In describing any item, the identification of a particular manufacturer or special brand does not restrict bidding to that manufacturer or special brand, but is intended only to indicate the quality and type of item desired. Bidders may furnish any material, product, thing or service of comparable quality or utility. **IF A BIDDER IS REQUESTING SUBSTITUTION OF AN EQUAL ITEM, THE BIDDER MUST CLEARLY INDICATE THE SUBSTITUTION ON THE BID PROPOSAL FORM. THE MAKE AND GRADE OF THE ARTICLE ON WHICH A BID IS SUBMITTED MUST BE STATED IN THE PROPOSAL AND ILLUSTRATIONS, CATALOG AND ALL NECESSARY INFORMATION SUBMITTED SO THAT THE DISTRICT CAN MAKE A COMPLETE EVALUATION OF THE QUALITY AND UTILITY OF THE SUBSTITUTE BRAND BID.** The District encourages alternate brands to be bid. The District reserves the right to make all decisions on product and vendor selection in determining whether a substitute brand is of comparable quality or utility to the brand name specified.

22. Container Costs and Delivery. All costs for containers shall be borne by the bidder. All products shall conform to the provisions set forth in the federal, county, state and city laws for their production, handling, processing and labeling. Packages shall be so constructed to insure safe transportation to point of delivery.

23. Bid Negotiations. A bid response to any specific item of this bid with terms such as negotiable, will negotiate or similar, will be considered as non-compliance with that specific term.

24. Indemnity. The bidder must hold harmless and fully indemnify the District, its Board of Trustees, officers, employees and agents from all damages or claims for damages, costs or expenses that may at any time arise out of the bidder's performance of, or failure to perform acts, required by the contract documents, including but not limited to infringement or use of any copyrighted composition, secret process, patented or unpatented invention, article or appliance furnished or used in connection with this bid.

25. In the event of any conflict or ambiguity between these instructions and state or federal law or regulations, the latter shall prevail. Additionally, all equipment to be supplied or services to be performed under the bid proposal shall conform to all applicable requirements of local, state and federal law.

26. Substitute Security. In accordance with Section 4590 of the Government Code, the District will permit the substitution of securities for any moneys withheld by the District to insure performance under the contract. At the request and expense of the bidder, securities equivalent to the amount withheld shall be deposited with the District, or with a state or federally chartered bank as an escrow agent, who shall pay such moneys to the bidder upon satisfactory completion of the contract.

Securities eligible for investment under this Section shall include those listed in Government Code Section 16430 or bank and savings and loan certificates of deposit. The bidder shall be the beneficial owner of any securities substituted for moneys withheld and shall receive any interest thereon.

27. If the bidder defaults, the District may procure the articles or services from other sources and may recover the loss occasioned thereby from any unpaid balance due the bidder or by proceeding against a bidder's bond, if any, or by suit against the bidder. The prices paid by the District shall be considered the prevailing market prices at the time such purchase is made.

28. Governing Law and Venue. In the event of litigation, the bid documents, specifications and related matter shall be governed by and construed in accordance with the laws of the State of California. Venue shall be with the appropriate state or federal court located in Fresno County.

29. Delivery Deadline. The equipment/materials sought by this bid proposal must be delivered in satisfactory condition to the location specified by the District in the bid proposal on or before delivery time as indicated by vendor. This time limit is of the essence of the contract. A bidder's failure to provide the equipment/materials to the District by the contract date shall subject the bidder to liquidated damages in the amount of \$200.00 for each and every calendar day by which completion is delayed beyond the contract date.

30. Internet Access. It is the responsibility of all potential bidders who gain access to bid specifications through the internet. to contact the District with the Company name, address, telephone and fax number. This will ensure notification of any bid specification changes through addendum.

Submission of a bid proposal constitutes the bidder's promise to pay liquidated damages as set forth above and the bidder's agreement that the actual occurrence of damages and the actual amount of damages which the District would suffer if the requirements were not completed by the contract date is impracticable and extremely difficult to fix. Damages which the District would suffer in the event of delay are dependent on many circumstances and factors but would include the loss of use of the materials, disruption of school activities, cost of administration and supervision, and the loss suffered by the public and the District by reason of delay in completion of the contract. Accordingly, bidder agrees that the amount set forth herein as liquidated damages shall be presumed to be the amount of damages actually sustained by the bidder's failure to complete the project by the contract date.

If the bidder becomes liable to the District for liquidated damages, the District shall, in addition to all other remedies provided by law, have the right to deduct the amount of liquidated damages owed from the contract sum or to deduct the amount of liquidated damages owed by the bidder from moneys previously retained from the bidder. If the sum deducted by the District is insufficient to discharge the bidder's liability for liquidated damages, the bidder and its sureties shall remain liable to the District until all such liabilities are fully satisfied.

31. Participation. Bidder agrees to extend the terms of the resulting contract to other political subdivisions, municipalities and tax supported agencies.

Such participating governmental bodies shall make purchases in their own name, make payment directly to the bidder, and be liable directly to the bidder, holding Clovis Unified School District harmless.

The successful bidder will invoice each Agency separately. Invoices must show each Agency's purchase order number, and be mailed as directed by each separate Agency.

BID QUANTITY CLARIFICATION

Line item quantities are listed for bid pricing purposes only. The District reserves the right to increase or decrease quantities. District will determine final order quantities based on bid pricing and available budget at time of award.

District may award by line, by aggregate or in total, whichever is in the best interest of the District. District may purchase all or none of the vehicles listed and quantities may vary.

CLOVIS UNIFIED SCHOOL DISTRICT

BID PROPOSAL FORM

Board of Trustees
CLOVIS UNIFIED SCHOOL DISTRICT
1450 Herndon Avenue
Clovis, California 93611
RE: **BID NO. 2913**

Dear Members of The Board of Trustees:

The undersigned, doing business under the firm name of _____

_____, having carefully examined the Notice to Bidders, the Instructions to Bidders, the Contract, the Specifications and all of the contract documents for the proposed **District Fleet Vehicle Replacement** proposes to perform the contract, including all of its component parts, and to furnish all materials and labor called for by them for the entire order, including all taxes as follows:

AMOUNT OF BID \$ _____.

_____ Dollars and _____/100

Please see the Renewal Option Form for price firm days.

SUBMITTED BY:

COMPANY

ADDRESS CITY/STATE/ZIP

SIGNATURE PLEASE TYPE OR PRINT NAME

TITLE DATE

PHONE EMAIL ADDRESS

District reserves the right to award bid by line item, or in total, whichever is in the District's best interest.

Bid 2913 District Fleet Vehicle Replacement

AGGREGATE 1

VENDOR: _____

Bid #2913 COST ANALYSIS FORM

AGGREGATE 1 (Orders may be placed once bid is awarded.)

Item	Qty	Description	Unit Cost	Estimated delivery lead time in number of days.
1	5 ea	FULL SIZE 8 PASSENGER VAN		
		1/2 Ton Chassis		
		V6 Engine Gasoline (3.7L to match current fleet)		
		Automatic Transmission		
		Traction Control – Stability Control (Anti-Roll Over)		
		Interval Windshield Wipers		
		Sliding Passenger Door		
		Power Steering, Power windows, Power adjust mirrors		
		Power driver seat, Power door locks		
		4 Wheel Power Disc Brakes w/ABS		
		HD Battery, HD Alternator, HD Radiator		
		Deluxe Wheel Covers or Aluminum / Alloy Wheels		
		Full Size Spare Tire		
		Keys – 2 extra (4 total) Programmed		
		Deluxe Exterior Trim Package		
		Full Length Vinyl Floor Covering, No Carpet		
		Heavy Duty Rubber Floor Mats		
		Factory 8 Passenger Seating Only		
		Cruise Control		
		Tilt Steering Wheel		
		A/C Hi Capacity (Front & Rear)		
		AM/FM Stereo w/CD player		
		Driver Courtesy Light System		
		Cloth Interior Seats		
		Privacy Glass (Factory Tinted)		
		Back Up Camera		
		Back Up Beeper		
		Exterior Color (White)		
		Interior Color (Grey or dark color)		
		Ford XLT		
		Dodge		
		or equal		
		2023 or Higher Transit Passenger Wagon Model or equal (New Only)		
		Indicate Make and Model Being Proposed		

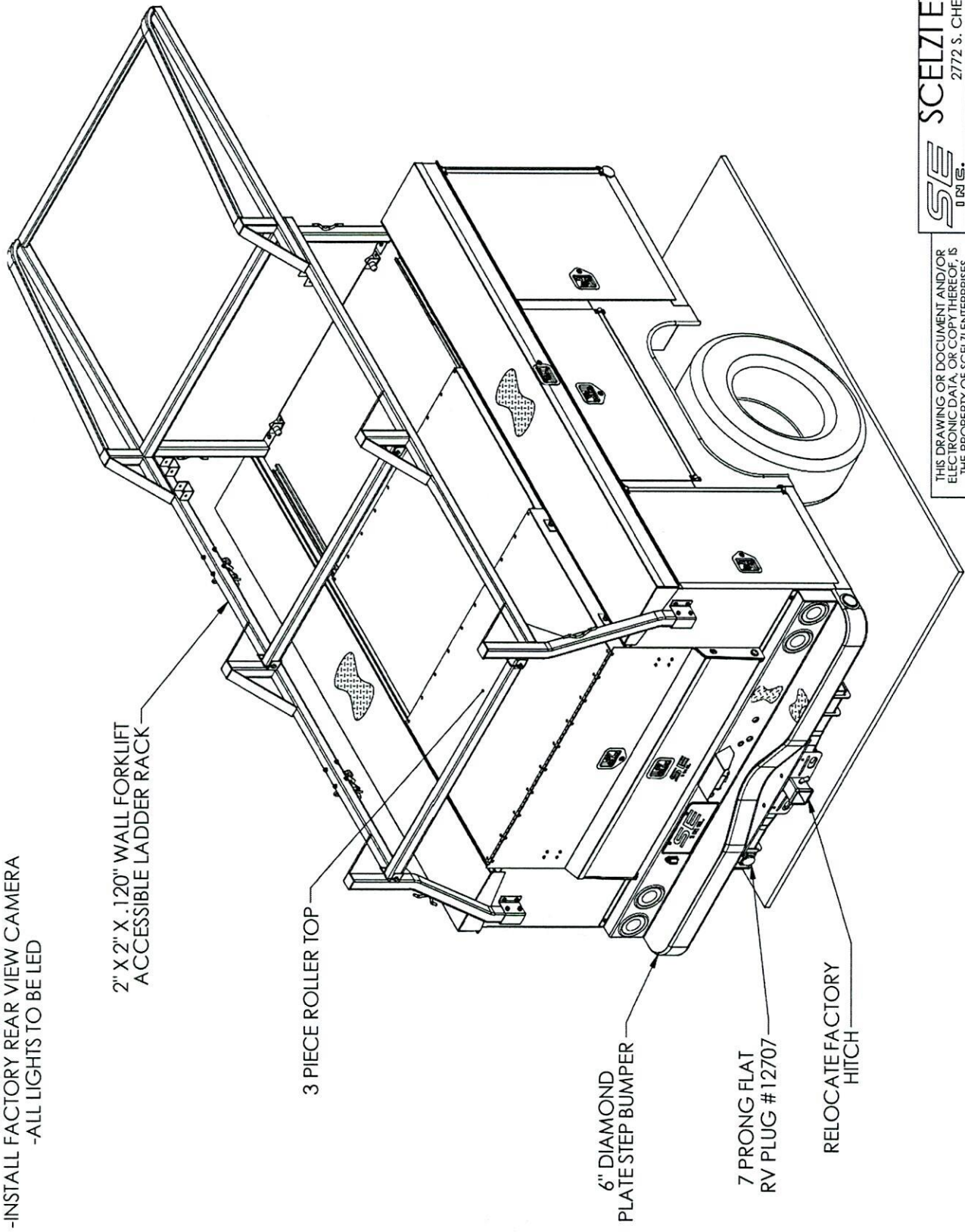
VENDOR: _____

AGGREGATE 1 (Orders may be placed once bid is awarded.)

Item	Qty	Description	Unit Cost	Estimated delivery lead time in number of days.
2	1 ea	<p>3/4 TON CHASSIS TRUCK (PLANT OPERATIONS)</p> <p>Reg Cab 4x2</p> <p>145 to 157" WB</p> <p>V8 Engine Gasoline 6.2L or Greater</p> <p>Automatic Transmission</p> <p>Traction Control</p> <p>Interval Windshield Wipers</p> <p>Power Steering, Power Windows, Power Adjust Mirrors</p> <p>Power Door Locks</p> <p>4 Wheel Power Disc Brakes W/ABS</p> <p>HD Battery, HD Alternator, HD Radiator, HD Suspension Package</p> <p>Deluxe Wheel Covers or Aluminum/Alloy Wheels</p> <p>Full Size Spare Tire</p> <p>Keys - 2 Extra (4 Total) Programmed</p> <p>Chrome Front and Rear Bumpers</p> <p>Vinyl Floor Covering w/HD Floor Mats</p> <p>Tilt Steering Wheel</p> <p>A/C Hi Capacity</p> <p>AM/FM Stereo</p> <p>Cloth Interior/Seats (Grey)</p> <p>Privacy Glass</p> <p>Back up Camera and Beeper</p> <p>Running Boards, Spray In Bedliner</p> <p>No Carpet, Rubber Flooring w/Heavy Duty Floor Mats</p> <p>HD Tow Package/Hitch/Integrated Brake Controller and Wiring Harness</p> <p>Exterior Color (White)</p> <p>Scelzi Body SB-98-79-49-38-VO Bed lined/coated, Retractable cover over open bed, lumber rack with tie downs and pull out bed slide tray (see 218949)</p> <p>Exterior Color (White)</p> <p>Interior Color Grey or Dark Grey</p> <p>Ford, Dodge or Equal</p> <p>2022-2023 F250 XLT Model or equal (New Only)</p> <p>Indicate Make and Model Being Proposed</p>		

218949 - SB-98-79-49-38-VO

- SB-98-79-49-38-VO
- MID SHIP FUEL TANK
- INSTALL FACTORY REAR VIEW CAMERA
- ALL LIGHTS TO BE LED



2" X 2" X .120" WALL FORKLIFT ACCESSIBLE LADDER RACK

3 PIECE ROLLER TOP

6" DIAMOND PLATE STEP BUMPER


7 PRONG FLAT RV PLUG # 12707

RELOCATE FACTORY HITCH

CUSTOMER SIGNATURE X

REV.	ECO.	DESCRIPTION OF REVISION	DATE	APPV'D BY:
0	---	DRAWING CREATED	12/13/2018	KDO

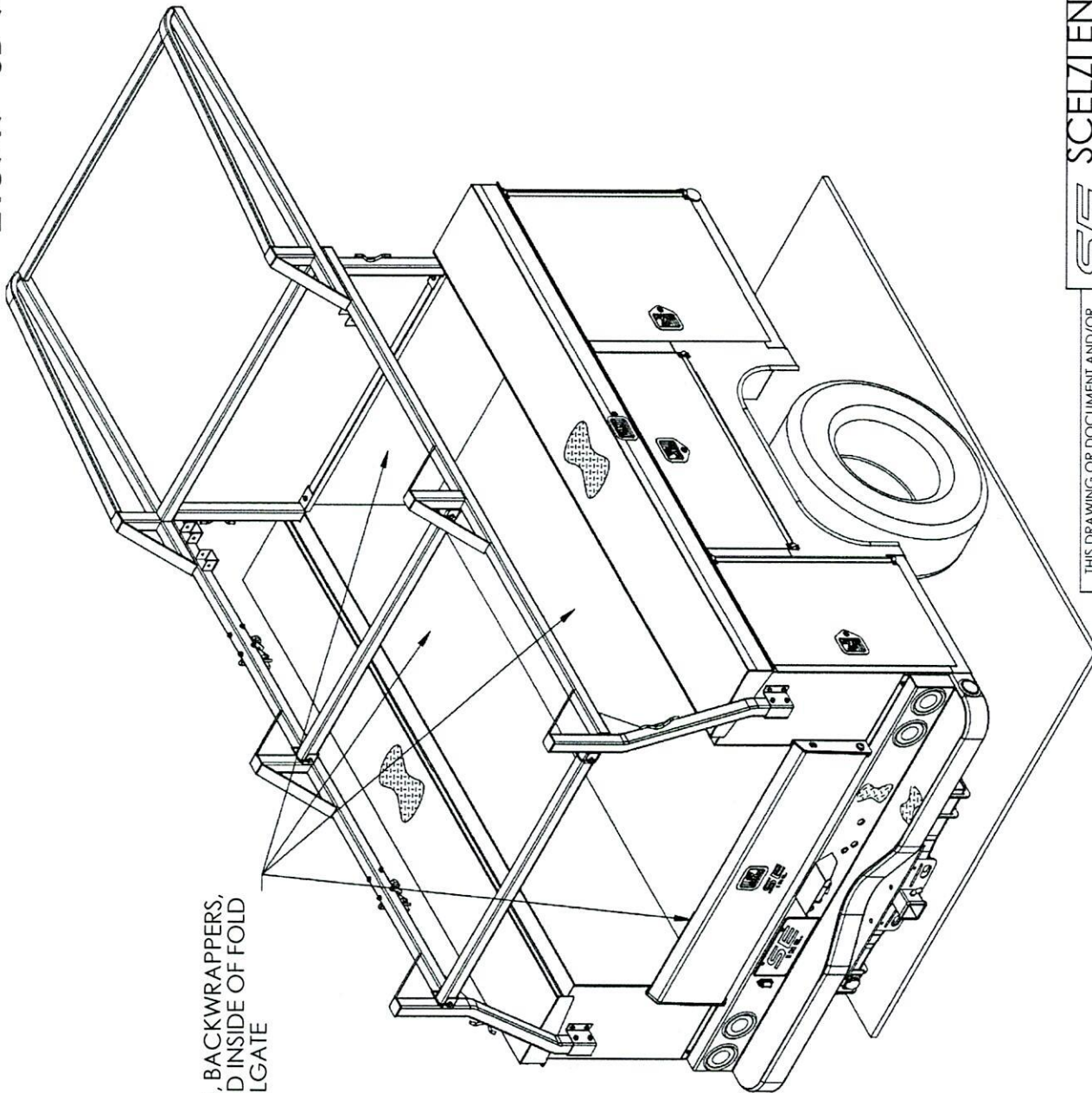
THIS DRAWING OR DOCUMENT AND/OR ELECTRONIC DATA, OR COPY THEREOF, IS THE PROPERTY OF SCELZI ENTERPRISES, INC. & IS CONSIDERED PROPRIETARY & CONFIDENTIAL. DISCLOSURE OF THIS INFORMATION IN ANY FORM, IN WHOLE OR IN PART, TO ANY THIRD PARTY IS STRICTLY PROHIBITED WITHOUT THE EXPRESS ADVANCED WRITTEN PERMISSION FROM AN AUTHORIZED REPRESENTATIVE OF SCELZI ENTERPRISES, INC. USERS OF THE INFORMATION CONTAINED HEREIN SHALL TAKE APPROPRIATE MEASURES TO ENSURE THIS INFORMATION REMAINS CONFIDENTIAL.



SCELZI ENTERPRISES, INC.
2772 S. CHERRY AVE., FRESNO, CA 93706

DRAWN BY: EMR	YEAR: 2022	CA: 56'	PART NO:
DATE: 4/21/2021	MAKE: FORD	MODEL: F-250	WORK ORDER:
SCALE: 1:24	DWG NAME: BOM LAYOUT	SHEET SIZE: A	218949
DEALER: HANSEL FORD	CUSTOMER: CLOVIS UNIFIED SCHOOL DISTRICT	DESCRIPTION: SB-98-79-49-38-VO	

218949 - SB-98-79-49-38-VO



POLYUREA BED FLOOR, BACKWRAPPERS,
FRONT BULKHEAD, AND INSIDE OF FOLD
DOWN TAILGATE

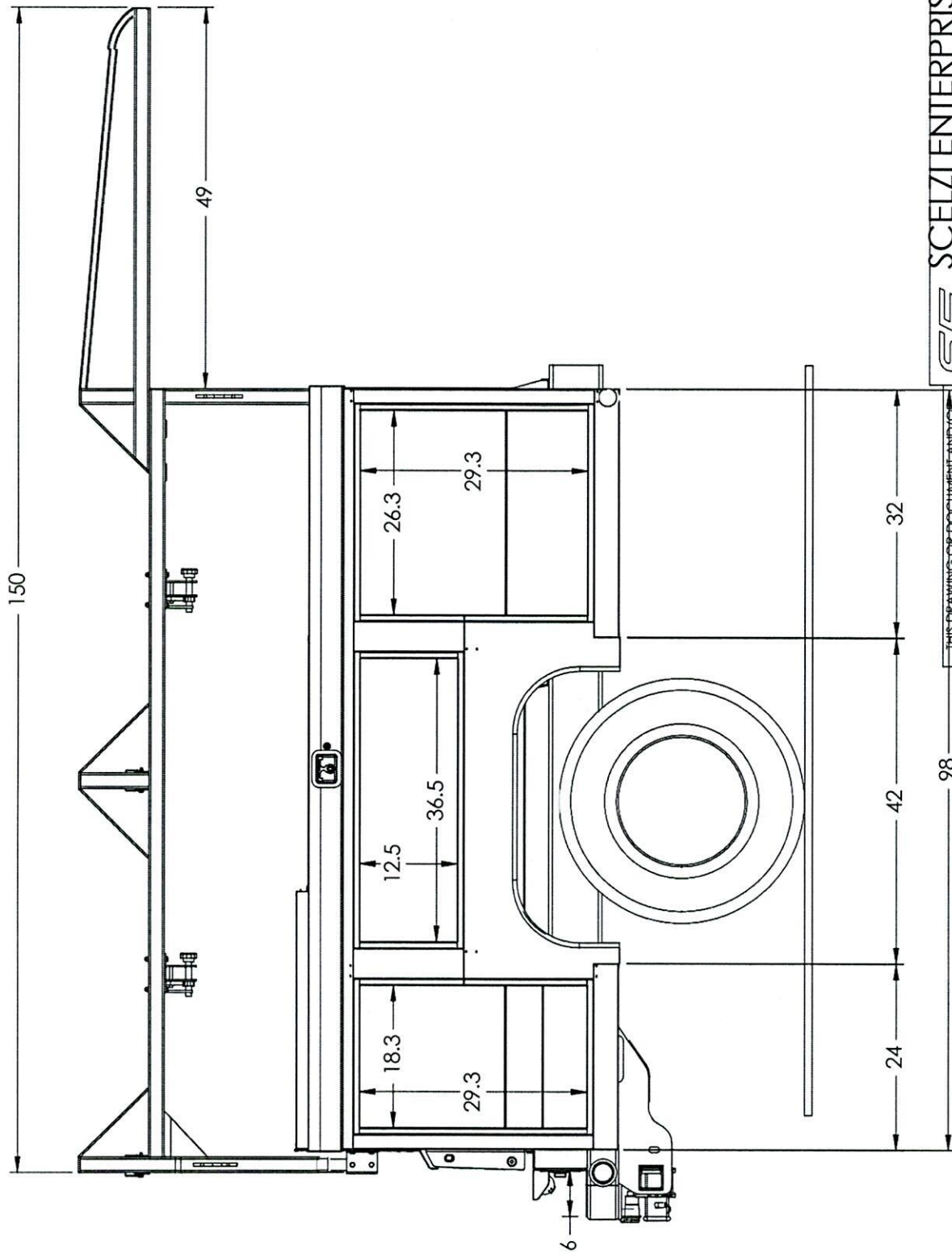
THIS DRAWING OR DOCUMENT AND/OR ELECTRONIC DATA, OR COPY THEREOF, IS THE PROPERTY OF SCELZI ENTERPRISES, INC. & IS CONSIDERED PROPRIETARY & CONFIDENTIAL. DISCLOSURE OF THIS INFORMATION IN ANY FORM, IN WHOLE OR IN PART, TO ANY THIRD PARTY IS STRICTLY PROHIBITED WITHOUT THE EXPRESS ADVANCED WRITTEN PERMISSION FROM AN AUTHORIZED REPRESENTATIVE OF SCELZI ENTERPRISES, INC. USERS OF THE INFORMATION CONTAINED HEREIN SHALL TAKE APPROPRIATE MEASURES TO ENSURE THIS INFORMATION REMAINS CONFIDENTIAL.

S/E		SCELZI ENTERPRISES, INC.	
2772 S. CHERRY AVE., FRESNO, CA 93706			
DRAWN BY: EMR	YEAR: 2022	CA: 56"	PART NO:
DATE: 4/21/2021	MAKE: FORD		
SCALE: 1:24	MODEL: F-250		WORK-ORDER:
LAYOUT: 2 OF 6	DWG NAME: BOM LAYOUT		218949
SHEET SIZE: A	218949		
DEALER: HANSEL FORD	CUSTOMER: CLOVIS UNIFIED SCHOOL DISTRICT		
DESCRIPTION:		SB-98-79-49-38-VO	

CUSTOMER SIGNATURE X _____

REV.	ECO.	DESCRIPTION OF REVISION	DATE	APPVD BY:
0	-	DRAWING CREATED	12/13/2018	KDO

218949 - SB-98-79-49-38-VO



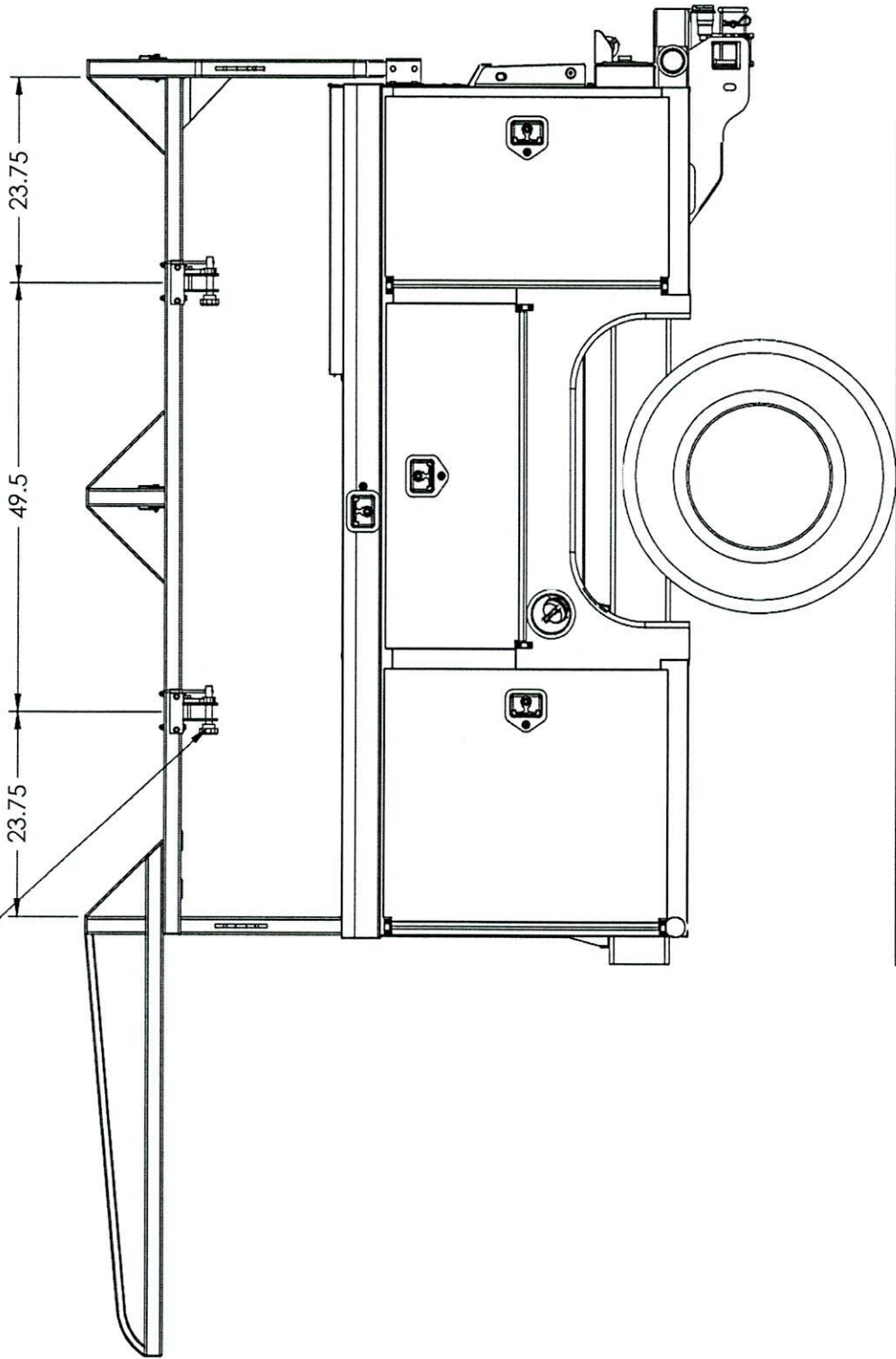
S/E		SCELZI ENTERPRISES, INC.	
2772 S. CHERRY AVE., FRESNO, CA 93706			
DRAWN BY: EMR	YEAR: 2022	CA: 56"	PART NO:
DATE: 4/21/2021	MAKE: FORD		
SCALE: 1:20	MODEL: F-250		WORK-ORDER:
LAYOUT: 3 OF 6	DWG NAME: BOM LAYOUT		218949
SHEET SIZE: A	218949		
DEALER: HANSEL FORD	CUSTOMER:	CLOVIS UNIFIED SCHOOL DISTRICT	
		DESCRIPTION: SB-98-79-49-38-VO	

THIS DRAWING OR DOCUMENT AND/OR ELECTRONIC DATA, OR COPY THEREOF, IS THE PROPERTY OF SCELZI ENTERPRISES, INC. & IS CONSIDERED PROPRIETARY & CONFIDENTIAL. DISCLOSURE OF THIS INFORMATION IN ANY FORM, IN WHOLE OR IN PART, TO ANY THIRD PARTY IS STRICTLY PROHIBITED WITHOUT THE EXPRESS ADVANCED WRITTEN PERMISSION FROM AN AUTHORIZED REPRESENTATIVE OF SCELZI ENTERPRISES, INC. USERS OF THE INFORMATION CONTAINED HEREIN SHALL TAKE APPROPRIATE MEASURES TO ENSURE THIS INFORMATION REMAINS CONFIDENTIAL.

CUSTOMER SIGNATURE X	DATE	APPV'D BY:
	12/13/2018	KDO
REV. ECO:	DESCRIPTION OF REVISION	DRAWING CREATED
0		

218949 - SB-98-79-49-38-VO

(2 EA) RS-1 RATCHET STRAPS
DRIVERS SIDE



THIS DRAWING OR DOCUMENT AND/OR ELECTRONIC DATA, OR COPY THEREOF, IS THE PROPERTY OF SCELZI ENTERPRISES, INC. & IS CONSIDERED PROPRIETARY & CONFIDENTIAL. DISCLOSURE OF THIS INFORMATION IN ANY FORM, IN WHOLE OR IN PART, TO ANY THIRD PARTY IS STRICTLY PROHIBITED WITHOUT THE EXPRESS ADVANCED WRITTEN PERMISSION FROM AN AUTHORIZED REPRESENTATIVE OF SCELZI ENTERPRISES, INC. USERS OF THE INFORMATION CONTAINED HEREIN SHALL TAKE APPROPRIATE MEASURES TO ENSURE THIS INFORMATION REMAINS CONFIDENTIAL.

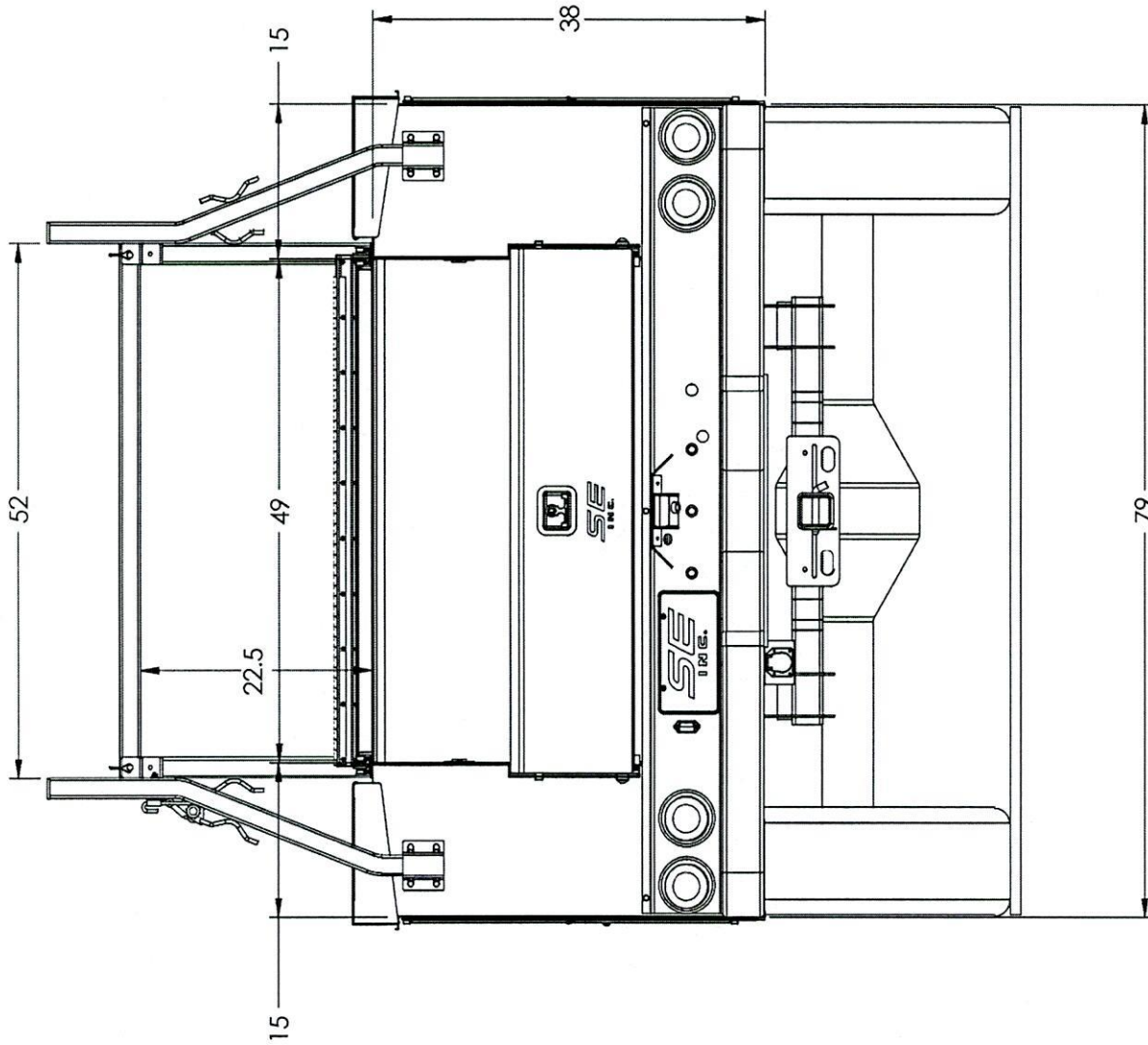
SCELZI ENTERPRISES, INC.		2772 S. CHERRY AVE., FRESNO, CA 93706	
DRAWN BY: EMR	YEAR: 2022	CA: 56"	PART NO:
DATE: 4/21/2021	MAKE: FORD		
SCALE: 1:20	MODEL: F-250		WORK-ORDER:
LAYOUT: 4 OF 6	DWG NAME: BOM LAYOUT		218949
SHEET SIZE: A	218949		
DEALER: HANSEL FORD	CUSTOMER: CLOVIS UNIFIED SCHOOL DISTRICT		
DESCRIPTION: SB-98-79-49-38-VO			

CUSTOMER SIGNATURE X _____

REV.	ECO.	DESCRIPTION OF REVISION	DATE	APPVD BY:
0	---	DRAWING-CREATED	12/13/2018	KDO

#2
218949 - SB-98-79-49-38-VO

NOTE: ROLLER TOP DOOR HIDDEN FOR CLARITY



THIS DRAWING OR DOCUMENT AND/OR ELECTRONIC DATA, OR COPY THEREOF, IS THE PROPERTY OF SCELZI ENTERPRISES, INC. & IS CONSIDERED PROPRIETARY & CONFIDENTIAL. DISCLOSURE OF THIS INFORMATION IN ANY FORM, IN WHOLE OR IN PART, TO ANY THIRD PARTY IS STRICTLY PROHIBITED WITHOUT THE EXPRESS ADVANCED WRITTEN PERMISSION FROM AN AUTHORIZED REPRESENTATIVE OF SCELZI ENTERPRISES, INC. USERS OF THE INFORMATION CONTAINED HEREIN SHALL TAKE APPROPRIATE MEASURES TO ENSURE THIS INFORMATION REMAINS CONFIDENTIAL.

S/E
SCELZI ENTERPRISES, INC.
 2772 S. CHERRY AVE., FRESNO, CA 93706

DRAWN BY: EMR	YEAR: 2022	CA: 56"	PART NO:
DATE: 4/21/2021	MAKE: FORD		
SCALE: 1:18	MODEL: F-250		WORK ORDER:
LAYOUT: 5 OF 6	DWG NAME: BOM LAYOUT		218949
SHEET SIZE: A	DEALER: HANSEL FORD	CUSTOMER: CLOVIS UNIFIED SCHOOL DISTRICT	
DESCRIPTION:			SB-98-79-49-38-VO

CUSTOMER SIGNATURE X _____

REV.	ECO.	DESCRIPTION OF REVISION	DATE	APP'D BY:
0	---	DRAWING CREATED	12/13/2018	KDO

VENDOR: _____

AGGREGATE 1 (Orders may be placed once bid is awarded.)

Item	Qty	Description	Unit Cost	Estimated delivery lead time in number of days.
3	1 ea	<p>3/4 TON WORK TRUCK (Manager Vehicle)</p> <p>4x2 Super Crew/Extended Cab 2 Door</p> <p>3.73/4.10 Axle Limited Slip</p> <p>3/4 Ton Chassis w/6 3/4 Bed</p> <p>148" WB</p> <p>6.2L V8 Gasoline Engine or Greater Automatic Transmission</p> <p>Interval Windshield Wipers</p> <p>Power Steering</p> <p>4 Wheel Power Disc Brakes w/ABS</p> <p>HD Battery</p> <p>HD Alternator</p> <p>HD Engine Cooling Package</p> <p>HD Suspension Package</p> <p>HD Towing Package w/Integrated Brake Controller and Wiring Harness</p> <p>Full Size Spare Tire</p> <p>Chrome Front and Rear Bumpers</p> <p>Keys - 2 Extra (4 Total) Programmed</p> <p>Vinyl Flooring</p> <p>Cloth Front Seat (Grey)</p> <p>Power Windows with Privacy Glass</p> <p>Power Door Locks</p> <p>Power Remote Mirrors</p> <p>Tilt Steering Wheel</p> <p>A/C Hi Capacity</p> <p>AM/FM Stereo w/CD Player</p> <p>Driver Courtesy Light System</p> <p>Backup Camera and Beeper</p> <p>Running Boards, Spray in Bedliner</p> <p>Heavy Duty Floor Mats</p> <p>Exterior Color (White)</p> <p>Interior Color (Grey or Dark Color)</p> <p>2022-2023 (New Only)</p> <p>Ford F250 XLT or equal</p> <p>Indicate Make and Model Being Proposed</p>		

VENDOR: _____

Bid #2913 COST ANALYSIS FORM

AGGREGATE 1 (Orders may be placed once bid is awarded)

Qty		Cost
	California Tire Fee	
	DMV License Fee	
	Delivery and/or Destination Fee	
	7.975% Sales Tax	
	Total Bid (Aggregate 1)	

Bid 2913 District Fleet Vehicle Replacement

AGGREGATE 2

Vendor Name: _____

#2913 COST ANALYSIS FORM

AGGREGATE 2 (No planned purchases of Aggregate 2 at this time.)

Item	Qty	Description	Unit Cost	Estimated delivery lead time in number of days.
1	1 ea	<p>¾ TON WORK TRUCK</p> <p>¾ Ton Chassis w/8 foot bed</p> <p>5.3L V8 Gasoline Engine or greater</p> <p>Automatic Transmission</p> <p>Interval Windshield Wipers</p> <p>Power Steering</p> <p>4 Wheel Power Disc Brakes w/ABS</p> <p>HD Battery</p> <p>HD Alternator</p> <p>HD Engine Cooling Package</p> <p>HD Suspension Package</p> <p>HD Towing Package w/Integrated Brake Controller & Wiring Harness</p> <p>Full Size Spare Tire</p> <p>Chrome Front and Rear Bumpers</p> <p>Keys – 2 extra (4 total) Programmed</p> <p>Vinyl Flooring</p> <p>Cloth Front Seat</p> <p>Power Windows with Privacy Glass/ Factory Tinted</p> <p>Power Door Locks</p> <p>Power Remote Mirrors</p> <p>Tilt Steering Wheel</p> <p>A/C Hi Capacity</p> <p>AM/FM Stereo w/CD player</p> <p>Driver Courtesy Light System</p> <p>Back up camera and Beeper</p> <p>Running boards</p> <p>Spray in bed liners</p> <p>Heavy Duty Rubber Floor Mat</p> <p>Air Seats</p> <p>***See other attached listed options standards</p>		
1.1		<p>Add Alternate for Tire Fee</p> <p>Exterior Color (White)</p> <p>Interior Color (Grey or dark color)</p> <p>Ford F250 or equal 2023 or Higher Model (New Only)</p> <p>Indicate Make & Model Being Proposed</p>		

Vendor Name: _____

#2913 COST ANALYSIS FORM

AGGREGATE 2 (No planned purchases of Aggregate 2 at this time.)

Item	Qty	Description	Unit Cost	Estimated delivery lead time in number of days.
2	1 ea	<p>1 TON WORK TRUCK</p> <p>1 Ton Chassis w/8 foot bed</p> <p>5.3L V8 Gasoline Engine or greater</p> <p>Automatic Transmission</p> <p>Interval Windshield Wipers</p> <p>Power Steering</p> <p>4 Wheel Power Disc Brakes w/ABS</p> <p>HD Battery</p> <p>HD Alternator</p> <p>HD Engine Cooling Package</p> <p>HD Suspension Package</p> <p>HD Towing Package w/Integrated Brake Controller & Wiring Harness</p> <p>Dual Rear Wheels</p> <p>Full Size Spare Tire</p> <p>Chrome Front and Rear Bumpers</p> <p>Keys – 2 extra (4 total) Programmed</p> <p>Vinyl Flooring</p> <p>Cloth Front Seat</p> <p>Power Windows with Privacy Glass/ Factory Tinted</p> <p>Power Door Locks</p> <p>Power Remote Mirrors</p> <p>Tilt Steering Wheel</p> <p>A/C Hi Capacity</p> <p>AM/FM Stereo w/CD player</p> <p>Driver Courtesy Light System</p> <p>Back up camera and Beeper</p> <p>Running boards</p> <p>Spray in bed liners</p> <p>Heavy Duty Rubber Floor Mat</p> <p>Air Seats</p> <p>***See other attached listed options standards</p>		
2.1		<p>Add Alernate for Tire Fee</p> <p>Exterior Color (White)</p> <p>Interior Color (Grey or dark color)</p> <p>Ford F350 or equal 2023 or Higher Model (New Only)</p> <p>Indicate Make & Model Being Proposed</p>		

Vendor Name: _____

AGGREGATE 2 (No planned purchases of Aggregate 2 at this time.)

Item	Qty	Description	Unit Cost	Estimated delivery lead time in number of days.
3	1 ea	DUMP BED TRUCK F550		
		Regular cab / Single Cab		
		Front & back license plate holder		
		Destination & delivery charges included		
		Air conditioning		
		Radio (am/fm)		
		V10 288 HP 424 lb-ft torque Gasoline engine or equal. 2018 CA emission compliant		
		6 speed Transmission automatic		
		Wheel base 145"		
		Wheel size 19.5 /w steel rim		
		Dual Rear Wheels		
		Include Spare Tire (same size as stated above)		
		GVW 20k (max)		
		Tow package with integrated break		
		Power doors, Power windows, Mirror Package		
		Interval wipers		
		Heavy duty Rubber floor mats		
		Power steering, Power breaks		
		Four wheel antilock brake system		
		Heavy duty suspension, Heavy duty Battery, Heavy duty alternator		
		Privacy Glass / Factory Tinted		
		rubber flooring		
		4 total programmed keys		
		Spray in bed liners		
		PTO for dump bed hydraulics		
		26 gallon fuel tank or larger		
		Air Seats		
		Class V receiver hitch		
		Back up camera and Beeper, Running boards		
		Scelzi Model #14.4 8'x10' Flatbed dump with metal sides, hinged rear door, utility box on the sides w/load cover.		
3.1		Add Alternate for 4 x 4 Option		
3.2		Add Alternate for Tire Fee		
		Exterior color (White)		
		Interior Cloth seats (grey) with seat covers		
		Ford F550 or equal with dump bed 2023 or Higher (New only)		
		Indicate Make & Model Being Proposed		

Vendor Name: _____

#2913 COST ANALYSIS FORM

AGGREGATE 2 (No planned purchases of Aggregate 2 at this time.)

Item	Qty	Description	Unit Cost	Estimated delivery lead time in number of days.
4	1 ea	<p>MEDIUM ROOF-CARGO VAN (PANEL VAN)</p> <p>FULL SIZE 3/4 Ton EXTENDED CARGO VANS</p> <p>3/4 Ton Chassis</p> <p>2 passenger seating – front bucket seats</p> <p>3.7L V6 Gasoline Engine or greater</p> <p>Automatic 6 speed Transmission</p> <p>Interval Windshield Wipers, Rear window defogger</p> <p>Three door, sliding right rear passenger</p> <p>Power Steering</p> <p>4 Wheel Power Disc Brakes w/ABS</p> <p>HD Battery, HD Alternator, HS Suspension Package</p> <p>Deluxe Wheel Covers</p> <p>16" wheels - Full Size Spare Tire</p> <p>Keys – 2 extra (4 total) Programmed</p> <p>Full Length Vinyl Floor Covering</p> <p>Power Windows with Privacy Glass / Factory Tinted</p> <p>Power Adjust Mirrors with turn signal indicator</p> <p>Power Door Locks, Tilt steering wheel</p> <p>A/C Hi Capacity</p> <p>AM/FM Stereo w/CD player</p> <p>Driver Courtesy Light System</p> <p>Cloth Interior Seats</p> <p>Fixed Rear Cargo Door Glass</p> <p>Insulation Package, Insulated roof</p> <p>Reverse Sensing System</p> <p>Back up camera & Beeper</p> <p>Trailer brake controller</p> <p>Tow/Haul Mode with trailering wiring provided</p> <p>Heavy Duty Trailer Tow Package w/Hitch</p> <p>Cargo van style w/cargo guard behind the driver</p> <p>Heavy Duty Rubber Floor Mat</p> <p>Air Seats</p> <p>Adrian Steel Pkg. #4319TM148</p> <p>Exterior Color (White)</p> <p>Ford Transit E250 or equal 2023 or Higher Model (New Only)</p> <p>Indicate Make & Model Being Proposed</p>		

Vendor Name: _____

#2913 COST ANALYSIS FORM

AGGREGATE 2 (No planned purchases of Aggregate 2 at this time.)

Item	Qty	Description	Unit Cost	Estimated delivery lead time in number of days.
5	1 ea	<p>MINI/COMPACT PASSENGER VAN 104.8" to 121.2" wheel base</p> <p>2.5-Liter Gasoline or larger engine</p> <p>Power Steering</p> <p>Automatic transmission</p> <p>Traction Control</p> <p>Stability Control with Anti-Roll over</p> <p>ABS 4 wheel Disc Brakes</p> <p>Daytime Running Lights (Auto Off Feature)</p> <p>HD Battery, HD Alternator, HD Radiator</p> <p>Deluxe Wheel Covers or Aluminum / Alloy Wheels</p> <p>Spare Tire</p> <p>Seating Capacity – 7 to 8 including driver</p> <p>Power adjustable Driver Seat</p> <p>Power Windows with Privacy Glass / Factory Tinted</p> <p>Cruise Control</p> <p>Tilt steering wheel</p> <p>Driver Courtesy Light System</p> <p>Cloth Interior Seating</p> <p>Dark Tint Privacy Glass (behind driver)</p> <p>Air Conditioning (Front and Rear High Capacity)</p> <p>Power Adjustable Exterior Mirrors</p> <p>AM/FM Stereo with CD player and Aux input</p> <p>Interval Windshield Wiper System</p> <p>Deluxe Exterior Trim Package</p> <p>Keys - 4 each (2 extra) Programmed</p> <p>Back up camera and Beeper</p> <p>Heavy Duty Rubber Floor Mat</p> <p>Air Seats</p> <p>Exterior Color – White</p> <p>Interior Color – Grey or Dark Color</p> <p>Ford</p> <p>Dodge</p> <p>Or equal</p> <p>2023 or Higher Model (New Only)</p> <p>Indicate Make & Model Being Proposed</p>		

Vendor Name: _____

#2913 COST ANALYSIS FORM

AGGREGATE 2 (No planned purchases of Aggregate 2 at this time)

Item	Qty	Description	Unit Cost	Estimated delivery lead time in number of days.
6	1 ea	<p>PASSENGER CAR/ POLICE MODEL</p> <p>Sedan 4 door</p> <p>Police Interceptor Package</p> <p>Admin package police style</p> <p>3.6L V6 Gasoline Engine or greater</p> <p>Automatic 5 speed Transmission</p> <p>Interval Windshield Wipers</p> <p>Power Steering</p> <p>4 Wheel Power Disc Brakes w/ABS</p> <p>HD Battery, HD Alternator, HS Suspension Package</p> <p>Deluxe Wheel Covers police style</p> <p>16" wheels - Full Size Spare Tire metal rim (Police style caps)</p> <p>Keys – 2 extra (4 total) Programmed</p> <p>Power Windows with Privacy Glass (Factory Tinted)</p> <p>Power Adjust Mirrors with turn signal indicator</p> <p>Power Door Locks, Tilt steering wheel</p> <p>AM/FM Stereo w/CD player</p> <p>Driver Courtesy Light System</p> <p>Cloth Interior Seats</p> <p>A/C Hi Capacity</p> <p>Reverse Sensing System</p> <p>Rear Window defogger</p> <p>Back up camera</p> <p>Heavy Duty Rubber Floor Mats</p> <p>With Cooks Police Package</p> <p>Vehicles Codes LDDE48, PW7, EZH, DFK, 26A, TWW, PW7, C8X9, AWC, GXF, HGC</p> <p>Exterior Color (White)</p> <p>Interior Color (Grey or dark color)</p> <p>2023 or Higher Dodge Police Charger SE or newer or equal (New Only)</p> <p>Indicate Make & Model Being Proposed</p>		

#6

Configuration Preview

Date Printed: 2019-09-23 8:08 PM
Estimated Ship Date:

VIN:
VON:

Quantity:
Status:
FAN 1:
FAN 2:
Client Code:
Bid Number:
PO Number:

Vehicle: 2019 CHARGER POLICE RWD (LDDE46)

	Sales Code	Description
Model:	LDDE48	CHARGER POLICE RWD
Package:	27A	Customer Preferred Package 27A
	EZH	3.6L V6 24V VVT Engine or V8 rear
	DFK	8-Speed Auto 8HP70 Transmission
Paint/Seat/Trim:	PW7	White Knuckle Clear Coat
	APA	Monotone Paint
	*C8	HD Cloth Bucket & Rear Bench Seats
	-X9	Black
Options:	4DH	Prepaid Holdback
	4ES	Delivery Allowance Credit
	MAF	Fleet Purchase Incentive
	GXF	Entire Fleet Alike Key (FREQ 1)
	AWC	Fleet Safety Group
	AEB	Street Appearance Group
	5N6	Easy Order
	4FM	Fleet Option Editor
	4FT	Fleet Sales Order
	171	Zone 71-Los Angeles
	4EA	Sold Vehicle
Non Equipment:	4FA	Special Bid-Ineligible For Incentive
Bid Number:		Government Incentives
Discounts:	YGF	8 Additional Gallons of Gas
Destination Fees:		

Total Price:

Order Type: Fleet
Scheduling Priority: 1: Sold Order
Salesperson:
Customer Name: CLOVIS UNIFIED SCHOOL DISTRICT
Customer Address: 1450 HERNDON AVENUE
CLOVIS CA 93611 USA
Instructions:

PSP Month/Week:
Build Priority: 01

Vendor Name: _____

AGGREGATE 2 (No planned purchases of Aggregate 2 at this time)

Item	Qty	Description	Unit Cost	Estimated delivery lead time in number of days.
7	1 ea	<p>1/2 TON WORK TRUCK</p> <p>4x2 Regular Cab</p> <p>1/2 Ton Chassis with 5 1/2 ft to 6 1/2 ft bed</p> <p>145 to157" WB</p> <p>5.0L V8 or Equivelant Gasoline Engine or Greater</p> <p>Automatic Transmission</p> <p>Interval Windshield Wipers</p> <p>Power Steering</p> <p>4 Wheel Power Disc Brakes w/ABS</p> <p>HD Battery</p> <p>HD Alternator</p> <p>HD Engine Cooling Package</p> <p>HD Suspension Package</p> <p>HD Towing Package w/Integrated Brake Controller & Wiring Harness</p> <p>Full Size Spare Tire</p> <p>Chrome Front and Rear Bumpers</p> <p>Keys – 2 extra (4 total) Programmed keys</p> <p>Vinyl Flooring & Heavy Duty Rubber Floor Mats</p> <p>Cloth Front Seat with Heavy duty Factory Seat Covers</p> <p>Power Windows with Privacy Glass</p> <p>Power Door Locks</p> <p>Power Remote Mirrors</p> <p>Tilt Steering Wheel</p> <p>A/C Hi Capacity</p> <p>AM/FM Stereo w/CD player</p> <p>Driver Courtesy Light System</p> <p>Back up camera and Beeper</p> <p>Running boards</p> <p>Spray in bed liners</p> <p>Privacy Glass (Factory Tinted)</p> <p>3.55 Ratio Rear Diff limited slip</p> <p>Exterior Color (White)</p> <p>Interior Color (Grey or dark color)</p> <p>2023 or Higher Model (New Only)</p> <p>Ford F150XLT or equal</p> <p>Front & back license plate holder</p> <p>Destination & delivery charges included</p> <p>Indicate Make & Model Being Proposed</p>		

Vendor Name: _____

#2913 COST ANALYSIS FORM

AGGREGATE 2 (No planned purchases of Aggregate 2 at this time)

Item	Qty	Description	Unit Cost	Estimated delivery lead time in number of days.
8	1 ea	DELIVERY TRUCK, BOX TRUCK		
		Regular cab with dry van body, 16' BED/BOX		
		PER FOLLOWING SPECIFICATIONS		
		Interior: Dark Grey Cloth Seats		
		Exterior : White		
		2023 or Higher Model MV607 SBA (MV607) (New Only)		
		Cummins ISB 6.7 – NO SUB (Vehicle to match existing fleet and available in stock repair parts.)		
		Destination & delivery charges included		
8.1		Add Alternate for 5K Lift Option		
8.2		Tire Fee		
		Indicate Make & Model Being Proposed		

(#8)

Vehicle Specifications
2019 MV607 SBA (MV607) 16' Bed/Box

Description

Base Chassis, Model MV607 SBA with 187.00 Wheelbase, 119.90 CA, and 65.00 Axle to Frame.
AXLE CONFIGURATION (Navistar) 4x2

Notes

: Pricing may change if axle configuration is changed.

FRAME RAILS High Strength Low Alloy Steel (50,000 PSI Yield); 10.125" x 3.062" x 0.312" (257.2mm x 77.8mm x 8.0mm); 480.1" (12195mm) Maximum OAL

BUMPER, FRONT Full Width, Aerodynamic, Steel; 0.142" Material Thickness

WHEELBASE RANGE 134" (340cm) Through and Including 197" (500cm)

AXLE, FRONT NON-DRIVING (Navistar Select) I-Beam Type, 10,000-lb Capacity

SUSPENSION, FRONT, SPRING Parabolic Taper Leaf, Shackle Type, 10,000-lb Capacity, with Shock Absorbers

BRAKE SYSTEM, AIR Dual System for Straight Truck Applications

AIR BRAKE ABS (Bendix AntiLock Brake System) Full Vehicle Wheel Control System (4-Channel)

AIR DRYER (Bendix AD-9) with Heater

BRAKE CHAMBERS, FRONT AXLE (Bendix) 20 SqIn

BRAKE CHAMBERS, REAR AXLE (Bendix EverSure) 30/30 Spring Brake

BRAKES, FRONT, AIR CAM S-Cam; 15.0" x 4.0"; Includes 20 Sq. In. Long Stroke Brake Chambers

BRAKES, REAR, AIR CAM S-Cam; 16.5" x 7.0"; Includes 30/30 Sq.In. Long Stroke Brake Chamber and Spring Actuated Parking Brake

AIR COMPRESSOR (Cummins) 18.7 CFM Capacity

AIR DRYER LOCATION Mounted Inside Left Rail, Back of Cab

AIR TANK LOCATION (2) Mounted Under Battery Box, Outside Right Rail, Under Cab

STEERING COLUMN Stationary

STEERING WHEEL 4-Spoke; 18" Dia., Black

STEERING GEAR (Sheppard M100) Power

EXHAUST SYSTEM Single, Horizontal Aftertreatment Device, Frame Mounted Under Right Rail, Back of Cab, Includes Short Horizontal Tail Pipe

ELECTRICAL SYSTEM 12-Volt, Standard Equipment

ALTERNATOR (Leeco-Neville AV1160P2013) Brush Type; 12 Volt 180 Amp. Capacity, Pad Mount, with Remote Sense

BODY BUILDER WIRING Back of Standard or Sleeper Cab at Left Frame or Under Extended or Crew Cab at Left Frame; Includes Sealed Connectors for Tail/Amber Turn/Marker/ Backup/Accessory Power/Ground and Sealed Connector for Stop/Turn

BATTERY SYSTEM (Fleetrite) Maintenance-Free, (2) 12-Volt 1320CCA Total

RADIO AM/FM/WB/Clock/3.5MM Auxiliary Input

SPEAKERS (2) 6.5" Dual Cone Mounted in Doors

HORN, ELECTRIC Disc Style

(#8)

Vehicle Specifications
2019 MV607 SBA (MV607)

Description

POWER SOURCE, SPECIAL for Customer Installed Lift Gate; 200 Amp Max, Includes 00ga. Power Cable to End of Frame, Optional Power (PDM) for Power Source, Latched Switch on Instrument Panel, with a Time Out Feature, Battery Discharge Protection, Controlling a Mag Switch Which Provides Power

BATTERY BOX Steel, with Plastic Cover, 25" Wide, 2 or 3 Battery Capacity, Mounted Right Side Under Cab

INDICATOR, LOW COOLANT LEVEL with Audible Alarm

HEADLIGHTS Halogen; Composite Aero Design for Two Light System

CIRCUIT BREAKERS Manual-Reset (Main Panel) SAE Type III with Trip Indicators, Replaces All Fuses

STARTING MOTOR (Mitsubishi Electric Automotive America 90P47) 12-Volt, with Soft-Start

LOGOS EXTERIOR Model Badges

LOGOS EXTERIOR, ENGINE Badges

GRILLE Chrome

FRONT END Tinting, Fiberglass, with Three Piece Construction

PAINT SCHEMATIC, PT-1 Single Color, Design 100

Includes

: PAINT SCHEMATIC ID LETTERS "WP"

PAINT TYPE Base Coat/Clear Coat, 1-2 Tone

SPECIAL RATING, GVWR Limited to 26,000-lb GVWR

SAFETY TRIANGLES

CLUTCH Omit Item (Clutch & Control)

ANTI-FREEZE Red, Extended Life Coolant; To -40 Degrees F/ -40 Degrees C, Freeze Protection

ENGINE, DIESEL (Cummins B6.7 220) EPA 2017, 220HP @ 2400 RPM, 600 lb-ft Torque @ 1600 RPM, 2600 RPM Governed Speed, 220 Peak HP (Max)

VENDOR WARRANTY, ENGINE (Cummins) B6.7 Engine, 3-Year Unlimited Miles Standard Warranty

FAN DRIVE (Borg-Warner SA85) Viscous Type, Screw On

RADIATOR Aluminum; 2-Row, Cross Flow, Over Under System, 717 SqIn Louvered, with 313 SqIn Charge Air Cooler. with In-Tank Transmission Cooler

AIR CLEANER with Service Protection Element

FEDERAL EMISSIONS (Cummins B6.7) EPA, OBD and GHG Certified for Calendar Year 2018

THROTTLE, HAND CONTROL Engine Speed Control; Electronic, Stationary, Variable Speed; Mounted on Steering Wheel

OIL PAN 15 Quart Capacity, For Cummins ISB/B6.7 Engines

EMISSION COMPLIANCE Low NOx Idle Engine, Complies with California Clean Air Regulations; Includes "Certified Clean Idle" Decal located on Driver Door

TRANSMISSION, AUTOMATIC (Allison 2500 HS) 5th Generation Controls, Wide Ratio, 5-Speed with Overdrive, Less PTO Provision, Less Retarder, with 33,000-lb GVW and GCW Max

TRANSMISSION FEATURE EFFECTS for Allison Prognostics-Disable Oil Life, Filter Life, Transmission Health Monitoring Functionality and Messaging

TRANSMISSION OIL Synthetic; 20 thru 28 Pints

TRANSMISSION SHIFT CONTROL T-Handle Type

(#8)

Vehicle Specifications
2019 MV607 SBA (MV607)

Description

SHIFT CONTROL PARAMETERS Allison 1000 or 2000 Series Transmissions, 5th Generation Controls, Performance Programming

AXLE, REAR, SINGLE (Navistar Select) Single Reduction, Hypoid Gearing, 19,000-lb Capacity, 190 Wheel Ends . Gear Ratio: 4.63

SUSPENSION, REAR, SINGLE 20,000-lb Capacity, Vari-Rate Springs, with 4500-lb Capacity Auxiliary Rubber Springs

FUEL/WATER SEPARATOR (Racor 400 Series,) with Primer Pump, Includes Water-in-Fuel Sensor

LOCATION FUEL/WATER SEPARATOR Mounted Outside Left Rail, 8" Back of Cab

FUEL TANK Top Draw, Non-Polished Aluminum, D-Style, 16" Tank Depth, 40 US Gal (151L), with Quick Connect Outlet, Mounted Left Side, Under Cab

DEF TANK 7 U.S. Gal. 26.5L Capacity, Frame Mounted Outside Left Rail, Under Cab

CAB Conventional

AIR CONDITIONER with Integral Heater & Defroster

GAUGE CLUSTER Base Level; English with English Speedometer and Tachometer, for Air Brake Chassis, Includes Engine Coolant Temperature, Primary and Secondary Air Pressure, Fuel and DEF Gauges, Oil Pressure Gauge, Includes 3 Inch Monochromatic Text Display

IP CLUSTER DISPLAY On Board Diagnostics Display of Fault Codes in Gauge Cluster

SEAT, DRIVER (National 2000) Air Suspension, High Back with Integral Headrest, Vinyl, Isolator, 1 Chamber Lumbar, with 2 Position Front Cushion Adjust, -3 to +14 Degree Angle Back Adjust

MIRROR, CONVEX, HOOD MOUNTED (Lang Mekra) Right and Left Side; 7.44" Sq., Bright

GRAB HANDLE (2) Black, Aluminum; for Cab Entry Mounted Left and Right each Side at "B" Pillar

SEAT, TWO-MAN PASSENGER (National) Fixed Back, Integrated Headrest in Both Occupant Positions, Vinyl, with Under Seat Storage Compartment

MIRRORS (2) Aero; Pedestal, Power Adjust, Heated Heads, Black Heads and Arms, 6.3" x 13.82" Flat Glass, 6.38" x 6.18" Convex Glass Both Sides

SEAT BELT All Orange; 1 to 3

CAB INTERIOR TRIM Classic, for Day Cab

Includes

: CONSOLE, OVERHEAD Molded Plastic with Dual Storage Pockets, Retainer Nets and CB Radio Pocket; Located Above Driver and Passenger

: DOME LIGHT, CAB Door Activated and Push On-Off at Light Lens, Timed Theater Dimming, Integral to Overhead Console, Center Mounted

: SUN VISOR (2) Padded Vinyl; 2 Moveable (Front-to-Side) Primary Visors, Driver Side with Toll Ticket Strap

CAB REAR SUSPENSION Rubber Suspension, for Low Cab Height

CAB SOUND INSULATION Includes Dash Insulator and Engine Cover Insulator

WINDOW, POWER (2) and Power Door Locks, Left and Right Doors, Includes Express Down Feature

CAB DOOR LOCKS Power, Driver Side Only; Non-Locking When Door Open

INSTRUMENT PANEL Flat Panel

ACCESS, CAB Steel, Driver & Passenger Sides, Two Steps Per Door, for use with Regular and Extended Cabs

WHEEL, SPARE, DISC (Accuride 51408) 22.5x8.25 Rims, Powder Coat Steel, 10-Stud, 285.75mm BC, Hub-Piloted

(#8)

Vehicle Specifications
2019 MV607 SBA (MV607)

Description

WHEELS, FRONT (Accuride 51408) DISC; 22.5x8.25 Rims, Powder Coat Steel, 2-Hand Hole, 10-Stud, 285.75mm BC, Hub-Piloted, Flanged Nut, with Steel Hubs

WHEELS, REAR (Accuride 51408) DUAL DISC; 22.5x8.25 Rims, Powder Coat Steel, 2-Hand Hole, 10-Stud, 285.75mm BC, Hub-Piloted, Flanged Nut, with Steel Hubs

TIRE, SPARE Equal to Model Standard

(3) TIRE, FRONT 11R22.5 Load Range H AH37 (HANKOOK), 499 rev/mile, 75 MPH, All-Position

(4) TIRE, REAR 11R22.5 Load Range H DH37 (HANKOOK), 497 rev/mile, 75 MPH, Drive

Services Section:

**WARRANTY Standard for MV Series, Effective with Vehicles Built July 1, 2017 or Later, CTS-2020A
Marathon 16' Dry Van w/4000lbs Rail gate incl. Backup camera w/monitor**

AGGREGATE 2

BID 2913 LINE-ITEM OPTIONS

Bid Item #1 – ¾ Ton Work Truck

Bid Item #2 – 1 Ton Work Truck

Utility Service Bed – Scelzi #SE129085 with spray liner

Scelzi 8' Utility Body SBD-98-96-51-38-VO

Service Body DRW 56CA-98 long, 96 wide, 51 floor width, 38 tall vertical top

All lights LED

6" diamond plate step bumper, powder coated gray

Class V receiver hitch

7 prong flat RV plug #12707

Install factory back up camera – ECCO 510 back up camera

Ladder rack – Forklift 2" x 2" x 120 tall

Vendor Name: _____

#2913 COST ANALYSIS FORM

AGGREGATE 2 (No planned purchases of Aggregate 2 at this time.)

Qty		Cost
	California Tire Fee	
	DMV License Fee	
	Delivery and/or Destination Fee	
	7.975% Sales Tax	
	Total Bid (Aggregate 2)	

RENEWAL OPTION

#2913

**District Fleet Vehicle
Replacement**

If mutually agreeable, the Clovis Unified School District reserves the right to consider the extension of this contract for a one- or two-year period as permitted by law. In the award of this bid renewal, the District will consider the amount of the price increase stated by the bidder as a factor and will compute accordingly. A price increase, if exercised, shall be fully justified by vendor and proved by a test of the market with submission of Consumer Price Index (CPI) increase.

Minimum contract term is one (1) year. Bid prices must stay in effect for one (1) year after award of bid and may be extended upon mutual written consent of District and Vendor for up to an additional four (4) one year periods ("Extended Term") in accordance with provisions contained in the Education Code, Sections 17596 (K-12). If parties agree to an Extended Term, the quoted prices in the bid shall stay in effect during the entire Extended Term. Parties may negotiate a one-time price increase at the beginning of each Extended Term based on the Fresno County Consumer Price Index (CPI), under the "ALL ITEMS" category per the unadjusted 12-month period, but may never exceed an increase of five percent (5%) from the previous term prices or exceed vehicle industry standard price increases, whichever is less. In no event shall prices set forth in the bid be raised at any time without written approval by the District. In the event of a general price decrease, the winning bidder shall notify the District in writing and pass the decrease proportionate to the general price decrease to the District. The District reserves the right to revoke specific bid awards unless the decrease is passed on to the District.

Bidder to indicate in space provided if it would accept option to renew for the following period:

Dates	Yes	No
Subsequent orders thru 10/30/23	_____	_____
11/01/23 - 10/30/24	_____	_____
11/01/24 - 10/30/25	_____	_____
11/01/25 - 10/30/26	_____	_____
11/01/26 - 10/30/27	_____	_____

The undersigned hereby proposes and agrees to furnish and deliver the goods and services in accordance with the terms, conditions, specifications and prices herein quoted.

Proper name of Individual, Company or Corporation

Authorized Signature

Type or Print Signer's Name

Title

CLOVIS UNIFIED SCHOOL DISTRICT
NONCOLLUSION DECLARATION

BID 2913

District Fleet Vehicle Replacement

State of California)

ss.

County Of Fresno

I, _____ being duly sworn, declare that I am _____ of _____ the party making the foregoing bid that the bid is not made in the interest of, or on behalf of, any undisclosed person, partnership, company, association, organization, or corporation; that the bid is genuine and not collusive or sham; that the bidder has not directly or indirectly induced or solicited any other bidder to put in a false or sham bid, and has not directly or indirectly colluded, conspired, connived, or agreed with any other bidder or anyone else to put in a sham bid, or that anyone shall refrain from bidding; that the bidder has not in any manner, directly or indirectly, sought by agreement, communication, or conference with anyone to fix the bid price of the bidder or any other bidder, or to fix any overhead, profit, or cost element of the bid price, or of that of any other bidder, or to secure any advantage against the public body awarding the contract of anyone interested in the proposed contract; that all statements contained in the bid are true; and further, that the bidder has not, directly or indirectly, submitted his or her bid price or any breakdown thereof, or the contents thereof, or divulged information or data relative thereto, or paid, and will not pay, any fee to any corporation, partnership, company association, organization, bid depository, or to any member or agent thereof to effectuate a collusive or sham bid.

I declare under penalty of perjury under the laws of the State of California that the foregoing is true and correct.

Dated this ___ day of _____, 20__ at _____ California.

Signature

CLOVIS UNIFIED SCHOOL DISTRICT

PURCHASE ORDER CONTRACT

This Agreement is made this _____ day of _____, 20__ by and between Clovis Unified School District, "District" and _____ "Seller" with respect to the following recitals:

1. District is a public school district organized and existing under the laws of the State of California.
2. Seller has received notice of an award pursuant to Bid _____ for the delivery of certain equipment, services, or other articles "Service", to be ordered as needed. No minimum or maximum purchase is guaranteed. This bid will be used for subsequent purchases only as needed by the District per the Bid Extension Terms agreed upon by your organization.

NOW, THEREFORE, in consideration of the mutual covenants and conditions contained herein, the parties agree as follows:

1. Description of Service. Seller agrees to deliver to school District's receiving station indicated on Purchase Order No. _____, the following service:

Bid 2913

District Fleet Vehicle Replacement

2. Time of Commencement and Completion. The Service shall be delivered in full to the District within _____ () Calendar days "Completion Date". Time is of the essence in this Contract.
3. Contracts. District agrees to pay Seller the unit Bid pricing stipulated in Aggregate 1 and Aggregate 2 Bid response following timely receipt of the Equipment/Supplies and submission of an invoice to District.
4. Liquidated Damages. Seller agrees to deliver the Service to District pursuant to the terms of this Contract by the Completion Date unless Seller receives a written extension of time for delivery from District. Seller's failure to deliver the Equipment on time shall subject Seller to liquidated damages. The actual occurrences of damages and the actual amount of damages which District will suffer if the Equipment is not delivered by the Completion Date is dependent upon many circumstances and conditions and, from the nature of the case, it is impracticable and extremely difficult to fix the actual damages occasioned by delay. Damages which District would suffer in the event of delay include loss of use of the Equipment, disruption of school activities, cost of administration and the loss suffered by the public by reason of delay. Accordingly, the parties agree that the amount herein set forth as liquidated damages shall be presumed to be the amount of damages actually sustained by Seller's failure to deliver the Equipment by the Completion Date.

The amount of liquidated damages to be paid by Seller to District for failure to deliver the Equipment on or before the Completion date will be Two Hundred Dollars and 00/100 (\$200.00) for each calendar day by which delivery is delayed beyond the Completion Date, such amount being the actual cash value agreed upon as the loss to the District resulting from the Seller's default.

If Seller becomes liable for liquidated damages, District, in addition to all other remedies provided by law, shall have the right to deduct the amount owed as liquidated damages from the contract sum due Seller. In all events, Seller and its sureties, if any, shall remain liable to the District until all such liabilities are satisfied in full.

5. Conformance to Contract Documents. Seller agrees that the Equipment to be furnished pursuant to this Contract shall conform to all of the requirements set forth in the bid documents, specifications and any other writings which formed a part of the materials upon which the Seller was awarded this Contract.

6. Indemnity. Seller shall indemnify, hold harmless and defend District, and its Board of Trustees, officers, agents and employees from and against all claims, damages, losses and expenses, including costs and attorney's fees, arising out of or resulting from Seller's work under this Contract or for any infringement of the patent rights, copyright or trademark of any person or persons in consequence of the use by the District of Equipment supplied pursuant to this Contract.

7. Transportation Charges. Seller agrees to deliver all Equipment prepaid unless otherwise specified. All costs for delivery and packaging of Equipment are the responsibility of Seller unless otherwise stated.

8. Inspection. All Equipment furnished must be in conformity with the specifications and Contract documents and will be subject to inspection and approval by the District after delivery. District reserves the right to reject and return at the risk and expense of the Seller any portion of the Equipment which may be defective or which fails to comply with the specifications in Contract documents.

9. Assignment of Contract. Seller agrees not to assign, transfer or convey any rights accruing under this Contract without the prior written consent of District.

10. Safety Regulations. All equipment and supplies furnished, and/or all work performed, shall meet all applicable safety regulations of the Division of Industrial Safety of the State of California, and Health & Safety code of the State of California.

11. Miscellaneous Provisions.

11.1 Governing Law and Venue. This Contract shall be governed by and construed in accordance with the laws of the State of California. The parties also agree that, in the event of litigation, venue shall be in the proper state or federal court located in Fresno County, California.

11.2 Notices. Communications hereunder shall be deemed given when delivered or mailed by registered mail, postage prepaid, to the parties at their respective places of business.

11.3 Binding Effect. This Agreement shall inure to the benefit of and shall be binding upon the District and Seller and their respective successors and assigns.

11.4 Severability. In the event any provision of this Agreement shall be held invalid or unenforceable by a court of competent jurisdiction, such holding shall not invalidate or under unenforceable any other provision hereof.

11.5 Amendments. The terms of this Agreement shall not be waived, altered, modified, supplemented or amended in any manner whatsoever except by written agreement signed by the parties.

11.6 Entire Agreement. This Agreement constitutes the entire agreement between the parties. There are no understandings, agreements, representations or warranties, express or implied, not specified in this Agreement. Seller, by the execution of this Agreement, acknowledges that Seller has read this Agreement, understands it, and agrees to be bound by its terms and conditions.

11.7 TERMINATION. The right to terminate this Agreement under this provision may be exercised without prejudice to any other right or remedy to which the terminating party may be entitled at law or under this Agreement. The parties may terminate this Agreement without cause by giving 90 days prior written notice of intention to terminate pursuant to this provision, specifying the date of termination.

IN WITNESS WHEREOF the parties have executed this Agreement on the date first hereinabove written.

CLOVIS UNIFIED SCHOOL DISTRICT

BY _____
Director of Purchasing

Vendor
BY _____
Title _____

CLOVIS UNIFIED SCHOOL DISTRICT

BID NO. 2913

District Fleet Vehicle Replacement

ADDENDA

The undersigned acknowledges receipt of the following Addenda and the cost, if any, of such revisions has been included in the Lump Sum Grand Total of your bid.

Addenda No. _____ Dated _____

Addenda No. _____ Dated _____

Addenda No. _____ Dated _____

Name of Bidder _____