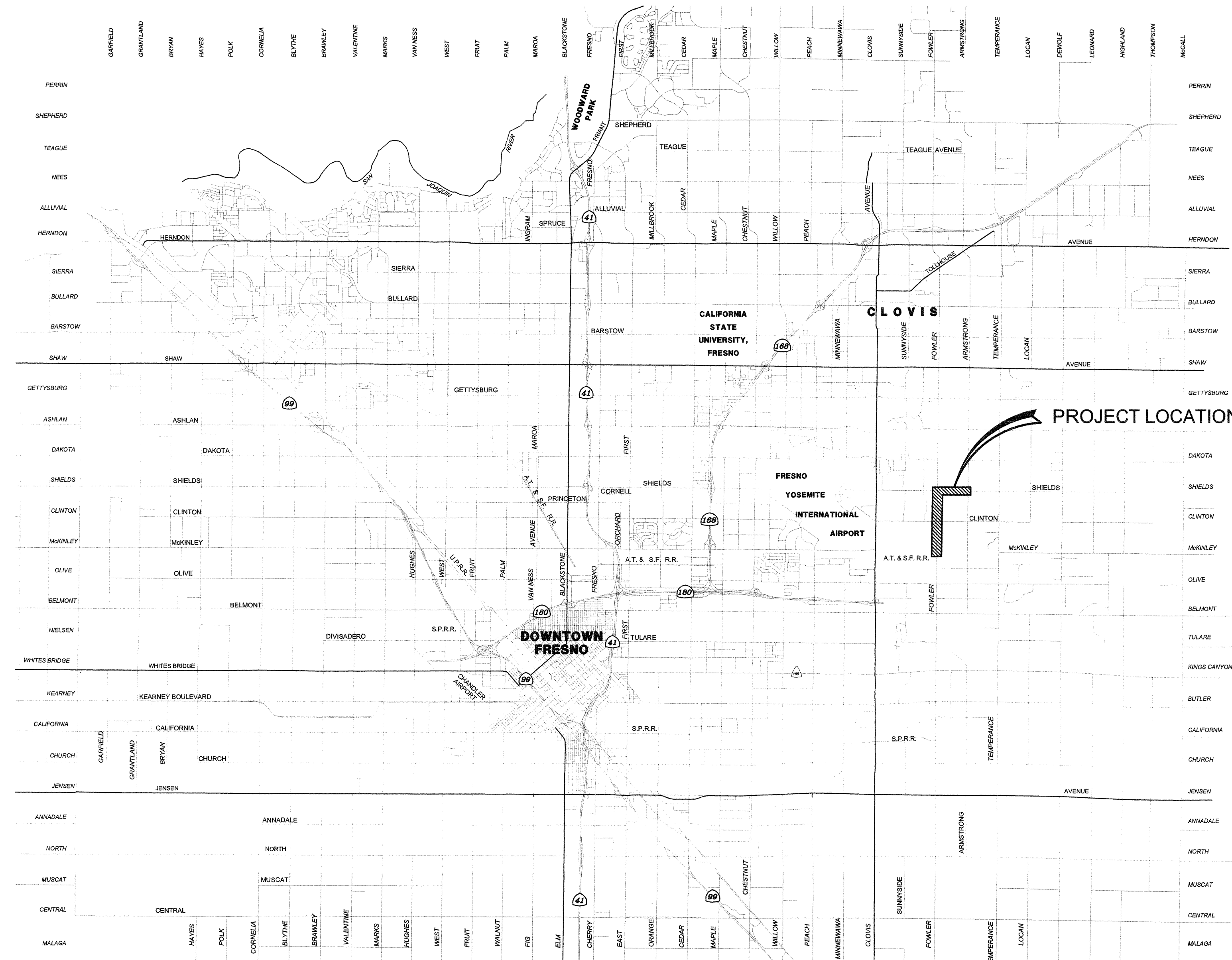


# CLOVIS UNIFIED SCHOOL DISTRICT METROPOLITAN AREA NETWORK INSTALLATION OF FIBER OPTIC CONDUITS



**LOCATION MAP**  
NOT TO SCALE

PLAN REVIEW FEE	\$TOTAL
CMF 796040	\$9,041
INSPECTION FEE	\$TOTAL
CMF 796040	\$16,808

REVIEWED BY:

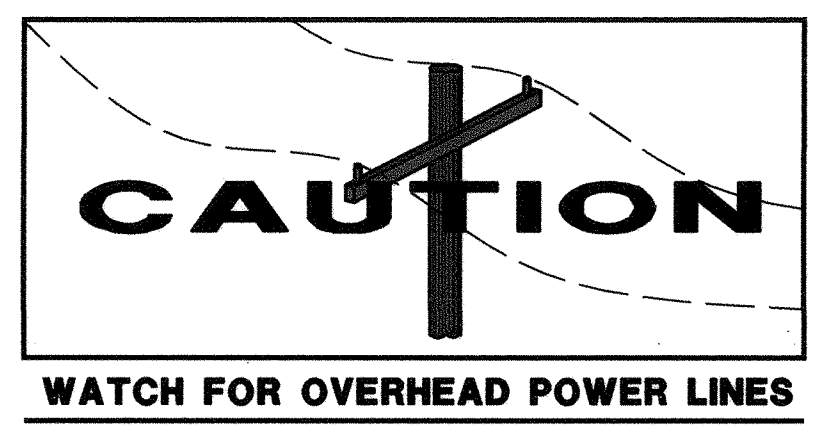
*Scott Tule*  
CITY OF FRESNO, TRAFFIC ENGINEERING 11/16/2023  
DATE

*Mark ...*  
CITY OF FRESNO, TSSL 11-06-2023  
DATE

*Carlo ...*  
CITY OF FRESNO, T.O.C. 11/07/23  
DATE

**SHEET INDEX**

SHEET	TITLE	DRAWING NO.
1	COVER SHEET	4-E-3718
2	LEGEND AND NOTES	4-E-3719
3	FIBER OPTIC CONDUIT INSTALLATION	4-E-3720
4	FIBER OPTIC CONDUIT INSTALLATION	4-E-3721
5	FIBER OPTIC CONDUIT INSTALLATION	4-E-3722
6	FIBER OPTIC CONDUIT INSTALLATION	4-E-3723



**UTILITY NOTE:**  
UTILITY INFORMATION SHOWN HEREON IS BASED ON RECORD INFORMATION SUPPLIED TO THE ENGINEER BY UTILITY COMPANIES, PUBLIC AGENCIES AND THE PROPERTY OWNER. TOGETHER WITH OBSERVATION OF VISIBLE EVIDENCE BY A FIELD SURVEY, THE ENGINEER CAN MAKE NO GUARANTEE AS TO THE ACCURACY OR COMPLETENESS OF THE UNDERGROUND UTILITY FACILITIES SHOWN. PRIOR TO ANY SITE EXCAVATIONS, THE CONTRACTOR SHALL CONTACT THE OWNER AND UNDERGROUND SERVICE ALERT (USA) AND REQUEST THAT THEY IDENTIFY THE LOCATION OF ALL UNDERGROUND UTILITIES AT THE SITE.



**Blair, Church & Flynn**  
CONSULTING ENGINEERS  
451 Clovis Avenue,  
Suite 200  
Clovis, California 93612  
Tel (559) 326-1400  
Fax (559) 326-1500

09/27/2023  
Date Signed

CONSULTANT	FILE NO.	3777
Blair, Church & Flynn Consulting Engineers	PROJ. I.D.	
451 Clovis Avenue, Suite 200	FUND NO.	
Clovis, California 93612	ORG. NO.	
Tel (559) 326-1400	NO. REF. & REV.	
Fax (559) 326-1500	DATE	11-1-2023

**CITY OF FRESNO** DEPARTMENT OF PUBLIC WORKS

CLOVIS UNIFIED SCHOOL DISTRICT  
FOWLER AND MCKINLEY ELEMENTARY SCHOOL  
FIBER OPTIC CONDUIT  
COVER SHEET

OFFICE ENG. *ST* APPROVED *AM*  
CITY ENG. *AM*  
DRAWN BY: *OG* SHEET NO. 1  
CHECKED BY: *RB* OF 6 SHEETS  
DATE: 10-27-23  
SCALE: AS NOTED 4-E-3718

**GENERAL TOPOGRAPHIC SURVEY LEGEND:**

(NOT ALL SYMBOLS SHOWN APPEAR ON THE PLANS)

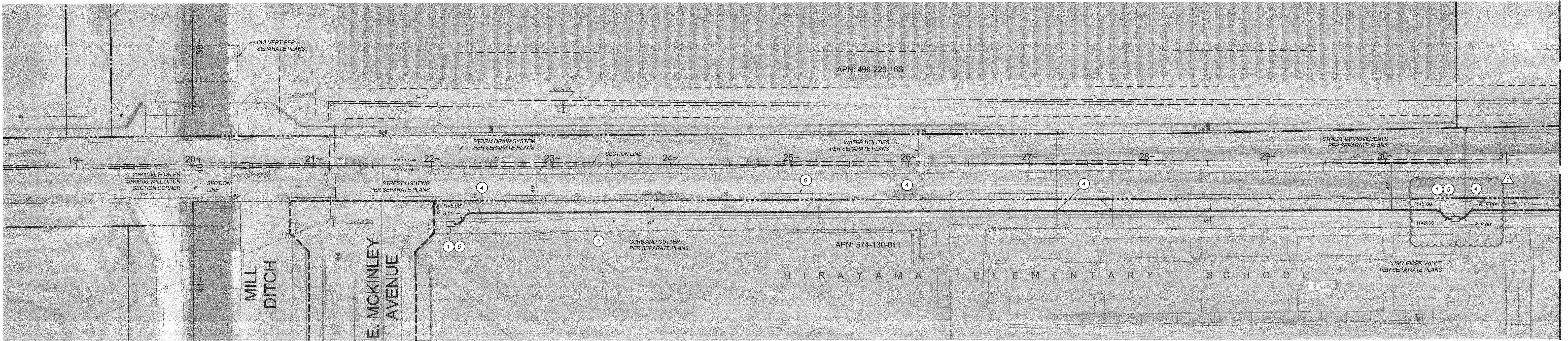
AC	ASPHALTIC CONCRETE	◻ BOV	BACKFLOW ASSEMBLY	+ 6" PVC	PVC PIPE, DIAMETER AS SHOWN	—○—○—	CHAIN LINK FENCE
ACE	ASPHALTIC CONCRETE EDGE	◻ BOV	BLOW-OFF VALVE	+ RS	ROOF SUPPORT	—  —  —	CHAIN LINK ROLL GATE
B00	BOTTOM OF DITCH	◻ B0	BM=BENCHMARK, OR SBM=SITE BENCHMARK	⊙	STORM DRAIN MANHOLE	— — —	EDGE OF ASPHALT PAVEMENT
BR	BARRICADE	◻ OD	BOLLARD	—	SIGN	—○—○—	WOOD FENCE
BRK	BRICK	◻ OCPB	CLEANOUT	◻ OCPB	SIGNAL LIGHT PUSH BUTTON	—○—○—	DIRECTION OF FLOW
BW	BARRIER WALL	◻ OVA	COMMUNICATION PULLBOX	—	STREET LIGHT	— — —	UNDERGROUND ELECTRIC
CB	CATCH BASIN	◻ OVA	COMMUNICATION VAULT	—	SLOPE	— — —	GAS LINE, SIZE AS NOTED
CE	CONCRETE EDGE	◻ OVA	CONCRETE VAULT	—	STREET LIGHT PULLBOX	— — —	INTELLIGENT TRAFFIC SYSTEM
CE	CONCRETE EDGE	◻ OVA	CONCRETE VAULT	—	PIPE SLEEVE, DIAMETER AS SHOWN	— — —	OVERHEAD TELEPHONE
CON	CONCRETE	◻ OVA	CONCRETE VAULT	—	SEWER MANHOLE	— — —	STORM DRAIN LINE, SIZE AS NOTED
CR	CROWN OF ROAD	◻ OVA	CONCRETE VAULT	—	SERVICE POLE	— — —	SEWER LINE, SIZE AS NOTED
OW	CONCRETE WALL	◻ OVA	CONCRETE VAULT	—	SIGNAL PULLBOX	— — —	UNDERGROUND TELEPHONE
EDR	EDGE OF DIRT ROAD	◻ OVA	CONCRETE VAULT	—	SPRINKLER	— — —	WATER LINE, SIZE AS NOTED
EDR	EDGE OF GRAVEL ROAD	◻ OVA	CONCRETE VAULT	—	TREE STUMP, DIAMETER AS SHOWN	— — —	COMMUNICATION LINE
EP	EDGE OF PAVEMENT	◻ OVA	CONCRETE VAULT	—	SURVEY MONUMENT WELL	— — —	LIMIT OF DIRT
FF	FINISH FLOOR	◻ OVA	CONCRETE VAULT	—	TELEPHONE, DIAMETER AS SHOWN	— — —	LIMIT OF TURF
FOTH	FIBER OPTIC TRENCH	◻ OVA	CONCRETE VAULT	—	TELEPHONE MANHOLE	— — —	FIBER OPTIC LINE
GB	GRADE BREAK	◻ OVA	CONCRETE VAULT	—	TELEPHONE POLE	— — —	DRAIN TUBE
GL	GUTTER FLOWLINE	◻ OVA	CONCRETE VAULT	—	TELEPHONE PULLBOX	— — —	IRRIGATION DISTRICT, SIZE AS NOTED
LIP	LIP OF GUTTER	◻ OVA	CONCRETE VAULT	—	TELEVISION PULLBOX	— — —	IRON FENCE
POS	POINT ON SLOPE	◻ OVA	CONCRETE VAULT	—	TREE, SPREAD SHOWN GRAPHICALLY AND TRUNK DIAMETER AS SHOWN	— — —	IRRIGATION MAIN LINE, SIZE AS NOTED
RW	RETAINING WALL	◻ OVA	CONCRETE VAULT	—	TRAFFIC SIGNAL POLE	— — —	IRRIGATION LATERAL LINE, SIZE AS NOTED
SB	SPEED BUMP	◻ OVA	CONCRETE VAULT	—	TRAFFIC SIGNAL PULLBOX	— — —	OVERHEAD COMMUNICATIONS LINE
SDFL	STORM DRAIN FLOWLINE	◻ OVA	CONCRETE VAULT	—	UTILITY POLE	— — —	OVERHEAD ELECTRIC LINE
SDFR	STORM DRAIN GRATE	◻ OVA	CONCRETE VAULT	—	VOLLEYBALL NET POST	— — —	OVERHEAD ELECTRIC AND COMMUNICATION LINE
SDFL	SEWER FLOWLINE	◻ OVA	CONCRETE VAULT	—	WELL	— — —	OVERHEAD ELECTRIC AND TELEPHONE LINE
SDFR	STORM DRAIN TRENCH	◻ OVA	CONCRETE VAULT	—	WATER METER	— — —	OVERHEAD TRAFFIC SIGNAL LINE
SDFR	STORM DRAIN TRENCH	◻ OVA	CONCRETE VAULT	—	WELL PUMP	— — —	OVERHEAD TELEVISION LINE
SRL	SWALE	◻ OVA	CONCRETE VAULT	—	CIRCULAR WOOD POST, DIAMETER AS SHOWN	— — —	OVERHEAD UTILITY LINE
T	TURF	◻ OVA	CONCRETE VAULT	—	SQUARE WOOD POST, SIZE AS SHOWN	— — —	TRAFFIC SIGNAL LINE
TBC	TOP BACK OF CURB	◻ OVA	CONCRETE VAULT	—	WATER LINE, DIAMETER AS SHOWN	— — —	TELEVISION LINE
TBW	TOP BACK OF WALK	◻ OVA	CONCRETE VAULT	—	WATER VALVE	— — —	UNKNOWN UTILITY LINE
TFC	TOP FACE OF CURB	◻ OVA	CONCRETE VAULT	—	ASPHALT PAVEMENT	— — —	WIRE FENCE
TOB	TOP OF BANK	◻ OVA	CONCRETE VAULT	—	CONCRETE BLOCK WALL	— — —	PROPERTY LINE
TOC	TOE OF SLOPE	◻ OVA	CONCRETE VAULT	—	BUILDING	— — —	CITY LIMIT
TOP	TOP OF SLOPE	◻ OVA	CONCRETE VAULT	—	CONCRETE	— — —	EASEMENT 1
TADO	TRUNCATED DOMES	◻ OVA	CONCRETE VAULT	—	DETECTABLE WARNINGS	— — —	EASEMENT 2
TW	TOP OF WALL	◻ OVA	CONCRETE VAULT	—	DG OR GRAVEL	— — —	RIGHT-OF-WAY LINE
VDFL	VALLEY GUTTER FLOWLINE	◻ OVA	CONCRETE VAULT	—		— — —	RIGHT-OF-WAY CENTER LINE
VGR	VALLEY GUTTER	◻ OVA	CONCRETE VAULT	—		— — —	SETBACK LINE
WCR	WHEELCHAIR RAMP	◻ OVA	CONCRETE VAULT	—		— — —	
(335 21)	EXISTING ELEVATION	◻ OVA	CONCRETE VAULT	—		— — —	
AV	ALFALFA VALVE	◻ OVA	CONCRETE VAULT	—		— — —	

**GENERAL NOTES:**

- THE WORK EMBRACED HEREIN SHALL BE DONE IN ACCORDANCE WITH THE APPROPRIATE PROVISIONS OF THE SPECIFICATIONS ENTITLED CITY OF FRESNO, STANDARD SPECIFICATIONS, LATEST EDITION, IN SO FAR AS THE SAME MAY APPLY, WHICH SPECIFICATIONS HEREINAFTER ARE REFERRED TO AS THE STANDARD SPECIFICATIONS.
- CONTRACTOR SHALL PROVIDE THE ENGINEER WITH A COPY OF AN OWNER'S WRITTEN AUTHORIZATION AND/OR SIGNED USE AGREEMENT PRIOR TO THE START OF WORK FOR ANY TEMPORARY WORK AREA, STANDING AREA, OR EQUIPMENT STORAGE FACILITIES TO BE USED FOR THIS PROJECT. AT THE COMPLETION OF WORK, THE CONTRACTOR SHALL PROVIDE THE ENGINEER WITH A COPY OF A WRITTEN RELEASE LETTER STATING THAT ALL TEMPORARY USES FACILITIES HAVE BEEN RESTORED BACK TO THE OWNER'S SATISFACTION.
- IN THE EVENT OVERHEAD ELECTRICAL LINES EXIST WITHIN THE LIMITS OF CONSTRUCTION, MAINTAIN PROPER CLEARANCE. CONTACT PG&E TO VERIFY WIRE LOCATION.
- ALL NEW AND EXISTING FIBER OPTIC CABLES SHALL BE PROTECTED DURING CONSTRUCTION. DAMAGED FIBER OPTICS DURING CONSTRUCTION SHALL BE REMOVED AND REPLACED BY THE CONTRACTOR AT NO COST TO THE CITY OF FRESNO.
- INTELLIGENT TRANSPORTATION SYSTEM SHALL REMAIN OPERATIONAL AND BE RESTORED IN KIND UNLESS OTHERWISE NOTED.
- FIBER OPTIC CABLE IDENTIFICATION LABELS SHALL BE RESTORED OR REPLACED IF LABELS ARE DAMAGED OR REMOVED DURING CONSTRUCTION.
- BORE PITS AND RECEIVING PITS SHALL BE PLACED BEHIND THE CURB AND IN THE SIDEWALK AREA UNLESS THERE IS WRITTEN APPROVAL FROM THE CITY ENGINEER.
- THE CONTRACTOR SHALL FIELD VERIFY THE EXACT LOCATION, SIZE, DEPTH, AND TYPE OF ALL EXISTING UTILITIES AND INTERFERENCES SITUATED ALONG THE ROUTE OF THE PROPOSED CONSTRUCTION PRIOR TO COMMENCEMENT OF EXCAVATION, FABRICATION, AND INSTALLATION. THE CONTRACTOR SHALL CONSTRUCT ALL IMPROVEMENTS IN SUCH A MANNER AS WILL PROTECT ALL EXISTING UNDERGROUND UTILITIES AND, IN THE EVENT OF ANY CONFLICTS, SHALL NOTIFY THE ENGINEER BEFORE PROCEEDING.
- SAWCUT EXISTING CONCRETE IMPROVEMENTS AS NECESSARY TO INSTALL NEW ITS CONDUIT IMPROVEMENTS. CONSTRUCT NEW CONCRETE IMPROVEMENTS TO MATCH ADJACENT CONCRETE IMPROVEMENTS.
- LAYOUT OF MATERIALS, EQUIPMENT AND SYSTEMS ARE GENERALLY DIAGRAMMATIC UNLESS SPECIFICALLY DIMENSIONED. SOME WORK MAY BE SHOWN OFFSET FOR CLARITY. THE ACTUAL LOCATIONS OF ALL MATERIALS, PIPING, FIXTURES, EQUIPMENT, SUPPORTS, ETC., SHALL BE CAREFULLY PLANNED PRIOR TO INSTALLATION OF ANY WORK TO AVOID ALL INTERFERENCES WITH EACH OTHER OR WITH STRUCTURAL, ELECTRICAL, ARCHITECTURAL OR OTHER ELEMENTS. ALL CONFLICTS SHALL BE CALLED TO THE ATTENTION OF THE ARCHITECT AND THE ENGINEER PRIOR TO THE INSTALLATION OF ANY WORK OR THE ORDERING OF ANY EQUIPMENT.
- ALL CHANGES IN PIPE DIRECTION NOT ACCOMPLISHED BY FITTING SHALL BE ACHIEVED BY DEFLECTION OF EACH PIPE JOINT ACCORDING TO MANUFACTURER'S RECOMMENDATIONS AND CITY OF FRESNO STANDARDS.
- ANY INSPECTION TO BE MADE BY THE CITY OF FRESNO SHALL REQUIRE A 7 DAY NOTICE SCHEDULED THROUGH CONSTRUCTION MANAGEMENT (559) 621-5600.
- BACKFILL ALL ITS CONDUIT TRENCHES WITH SLURRY PER CITY OF FRESNO STANDARD DETAILS ITS-4 AND ITS-5. SEE SHEET 5.
- CONTACT AND COORDINATE WITH ALL UTILITY AGENCIES PRIOR TO THE START OF ANY DEMOLITION OR CONSTRUCTION.
- ANY EXISTING UTILITIES AND/OR IMPROVEMENTS THAT BECOME DAMAGED DURING CONSTRUCTION SHALL BE COMPLETELY RESTORED TO THE SATISFACTION OF THE OWNER AND AGENCY HAVING AUTHORITY, AT THE CONTRACTOR'S SOLE EXPENSE.
- NO TRENCH OR EXCAVATION IN A TRAVELED AREA SHALL BE LEFT OPEN OVERNIGHT OR UNATTENDED UNLESS PROTECTED. TRENCHES OR EXCAVATIONS IN NON-TRAVELED AREAS MUST BE FENCED, FILLED OR COVERED WHEN UNATTENDED.
- ANY PAVED SURFACES SHALL BE REPAIRED OR REPLACED WITHIN A MINIMUM OF ONE WEEK OF SAID DISRUPTION OR THE TIME FRAME SPECIFIED BY THE GOVERNING AGENCY, WHICHEVER IS LESS.
- MISCELLANEOUS STRUCTURES AND OBSTRUCTIONS SUCH AS SIGN POSTS, FENCES, MAIL BOXES, ETC. SHALL BE AVOIDED OR REMOVED AND REINSTALLED TO ORIGINAL OR BETTER CONDITION.
- THE CONTRACTOR SHALL NOTIFY THE AGENCY TRAFFIC ENGINEERING DEPARTMENTS, FIRE DEPARTMENT, POLICE DEPARTMENT, EMERGENCY SERVICES, THE SCHOOL BUS GARAGE, AND METRO TRANSIT BY PHONE OR IN WRITING BEFORE THEY BEGIN THEIR OPERATIONS SO THAT THESE AGENCIES MAY REROUTE THEIR EMERGENCY AND SERVICE VEHICLES AROUND THE CONSTRUCTION ZONE.
- CONTRACTOR TO PROVIDE TRAFFIC CONTROL PLAN IN ACCORDANCE WITH CALIFORNIA MUTCD FOR ANY LANE, SHOULDER, OR SIDEWALK CLOSURES REQUIRED FOR CONSTRUCTION. CONTRACTOR SHALL APPLY FOR AND OBTAIN APPROVAL OF THE TRAFFIC CONTROL PLAN FROM THE DEPARTMENT OF PUBLIC WORKS, TRAFFIC ENGINEERING PRIOR TO CONSTRUCTION.
- CONTRACTOR SHALL OBTAIN THE REQUIRED PERMITS, FURNISH AND INSTALL ALL THE TEMPORARY SHORING, UNDERPINNING AND BRACING REQUIRED TO SAFELY EXECUTE THE WORK AND PROTECT PUBLIC PROPERTY AND EXISTING IMPROVEMENTS. THE CONTRACTOR SHALL PROVIDE AND INSTALL APPROPRIATE SIGNS AND ADEQUATE WARNING DEVICES TO ADVISE THE PUBLIC OF CONSTRUCTION HAZARDS AND SHALL REMOVE ALL SUCH SIGNS AND DEVICES UPON COMPLETION OF WORK.
- PRIOR TO ANY EXCAVATION AND/OR BORING, CONTRACTOR SHALL POTHOLE ALL UTILITY CROSSINGS TO VERIFY SIZE, DEPTH AND TYPE OF PIPE. MAINTAIN MINIMUM CLEARANCES WITH EXISTING UTILITIES PER APPLICABLE CITY OF FRESNO STANDARD DRAWINGS ITS-6, ITS-7, ITS-8, ITS-9 AND ITS-10.
- THE CONTRACTOR IS RESPONSIBLE FOR VERIFICATION OF ALL EXISTING UTILITIES WHETHER OR NOT THEY ARE SHOWN ON THESE PLANS AND SHALL PROVIDE PROTECTION PRIOR TO, DURING AND AFTER TRENCHING, JACKING AND/OR BORING. CONTACT UNDERGROUND SERVICE ALERT (USA), TOLL FREE NUMBER 811, TWO WORKING DAYS BEFORE EXCAVATING.

**UTILITY NOTE:**

UTILITY INFORMATION SHOWN HEREON IS BASED ON RECORD INFORMATION SUPPLIED TO THE ENGINEER BY UTILITY COMPANIES, PUBLIC AGENCIES AND THE PROPERTY OWNER, TOGETHER WITH OBSERVATION OF VISIBLE EVIDENCE BY A FIELD SURVEY. THE ENGINEER CAN MAKE NO GUARANTEE AS TO THE ACCURACY OR COMPLETENESS OF THE UNDERGROUND UTILITY FACILITIES SHOWN. PRIOR TO ANY SITE EXCAVATIONS, THE CONTRACTOR SHALL CONTACT THE OWNER AND UNDERGROUND SERVICE ALERT (USA) AND REQUEST THAT THEY IDENTIFY THE LOCATION OF ALL UNDERGROUND UTILITIES AT THE SITE.



N. FOWLER AVENUE



N. FOWLER AVENUE

MATCH LINE - 31+44  
SEE ABOVE RIGHT

MATCH LINE - 44+45  
SEE SHEET 4

**LEGEND:**

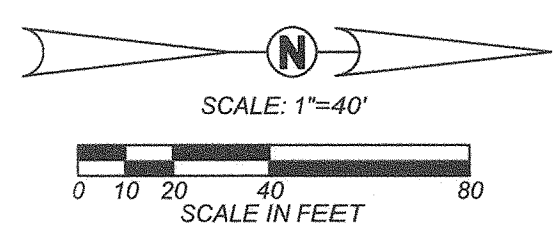
- 4X7' VAULT PER CITY OF FRESNO STANDARD DRAWING ITS-13.
- FIBER OPTIC CONDUIT PER CITY OF FRESNO STANDARD DRAWING ITS-5. OPTIONAL TRENCH OR DIRECTIONAL BORING INSTALLATION. TRENCHING IN EXISTING PAVEMENT REQUIRES APPROVAL FROM THE CITY OF FRESNO.
- 6" S EXISTING SEWER MAIN. SIZE AS NOTED ON PLANS. DASHED LINES REPRESENT OUTSIDE DIAMETER.
- 6" SD EXISTING STORM DRAIN MAIN. SIZE AS NOTED ON PLANS. DASHED LINES REPRESENT OUTSIDE DIAMETER.
- ① 4X7' VAULT PER CITY OF FRESNO STANDARD DETAILS ITS-13 AND ITS-14. CITY OF FRESNO TO PROVIDE VAULT NUMBERS.
- ② (6) 1-1/2" CONDUIT IN EXISTING VAULT PER CITY OF FRESNO DETAILS ITS-13 AND ITS-14. PROTECT EXISTING EQUIPMENT TO REMAIN.
- ③ (6) 1-1/2" CONDUIT PER CITY OF FRESNO STANDARD DETAIL ITS-05 AND CITY OF FRESNO STANDARD SPECIFICATIONS.
- ④ PROTECT EXISTING IMPROVEMENTS TO REMAIN. SEE NOTE 15 OF GENERAL NOTES ON SHEET 2.
- ⑤ CONDUIT INSTALLATION NEAR EXISTING UTILITIES SIMILAR TO CITY OF FRESNO STANDARD DETAILS ITS-6 AND ITS-7.
- ⑥ OVERHEAD ELECTRIC LINE TO BE RELOCATED BY OTHERS.
- ⑦ 4X7' VAULT PER CITY OF FRESNO STANDARD DETAIL ITS-03.
- ⑧ REMOVE EXISTING PULLBOX PER CITY OF FRESNO STANDARD DETAIL ITS-03. INTERCEPT EXISTING PIPE AND INSTALL IN NEW 4X7' VAULT PER CITY OF FRESNO ITS STANDARDS.

**NOTES:**

1. FIBER OPTIC FACILITIES SHOWN ON THESE PLANS ARE TO BE CONSTRUCTED PER THE CITY OF FRESNO STANDARDS FOR ITS FACILITIES.
2. THE CITY OF FRESNO AND CLOVIS UNIFIED SCHOOL DISTRICT HAVE AN EXISTING AGREEMENT UTILIZING EXISTING ITS FACILITIES, AND THESE NEW FACILITIES SHALL BE ADDED TO THE AGREEMENT WITH THE SAME CONDITIONS.
3. A MINIMUM 1' SEPARATION IS REQUIRED WHEN CROSSING ANY STRUCTURE OF OTHER UTILITY. SEE CITY OF FRESNO STANDARD SPECIFICATIONS.

BORE LOG

STREET: _____ TO: _____			DATE: _____ JOB #: _____		
LOCATION:	COMPANY:		LOCATION:		
START STATION:	CUSTOMER:		END STATION:		
VAULT ID	STATION	DEPTH	F/O/C	B/O/C	COMMENTS



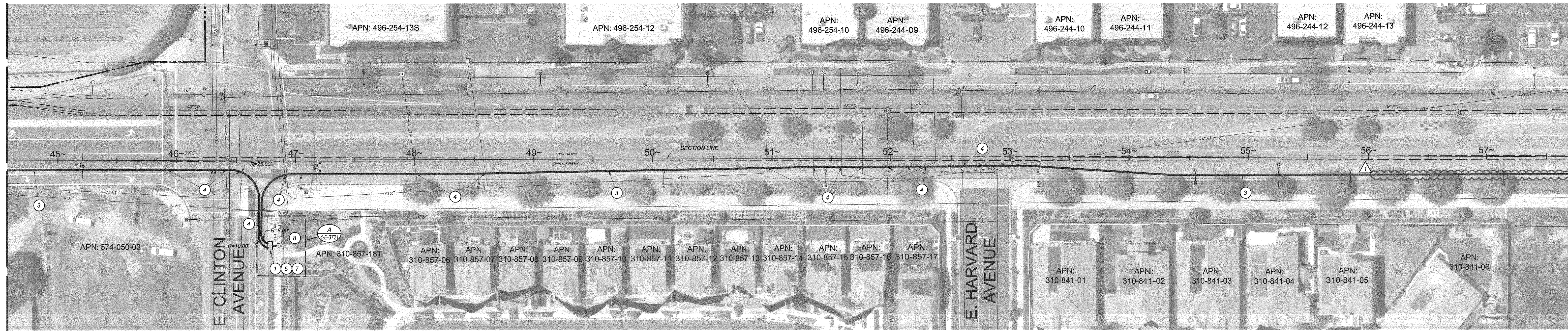
**Blair, Church & Flynn**  
CONSULTING ENGINEERS  
454 Clovis Avenue,  
Suite 300  
Clovis, California 93612  
Tel (559) 326-1400  
Fax (559) 326-1500

CONSULTANT: \_\_\_\_\_  
PROJ. I.D.: \_\_\_\_\_  
FUND NO.: \_\_\_\_\_  
ORG. NO.: \_\_\_\_\_  
NO. OF SHEETS: \_\_\_\_\_  
DATE: 09/27/2023  
11-1-2023

**CITY OF FRESNO** DEPARTMENT OF PUBLIC WORKS  
CLOVIS UNIFIED SCHOOL DISTRICT  
FOWLER AND MCKINLEY ELEMENTARY SCHOOL  
FIBER OPTIC CONDUIT  
FIBER OPTIC CONDUIT INSTALLATION

OFFICE ENG: \_\_\_\_\_  
CITY ENG: \_\_\_\_\_  
DRAWN BY: DG SHEET NO. 3  
CHECKED BY: JB OF 6 SHEETS  
DATE: 09/27/23  
SCALE: AS NOTED  
4-E-3720

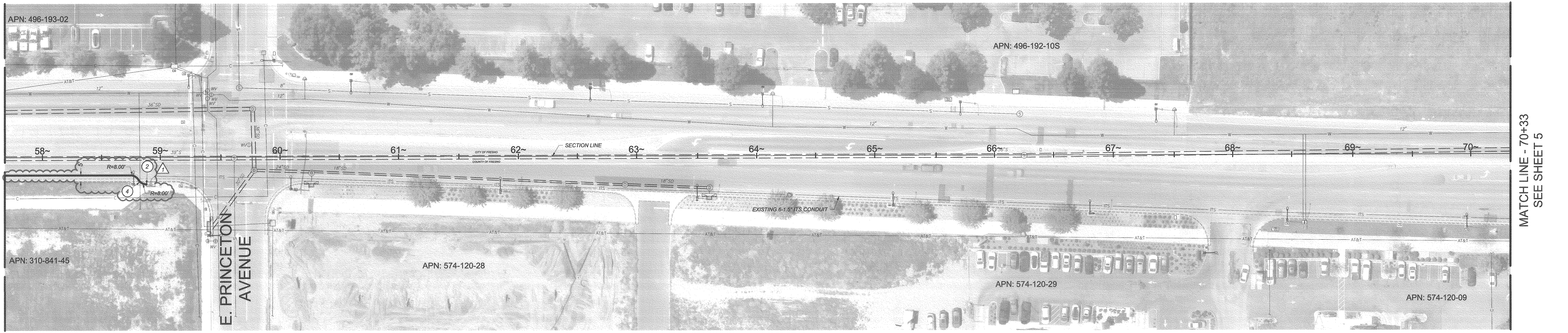
MATCH LINE - 44+45  
SEE SHEET 3



### N. FOWLER AVENUE

MATCH LINE - 57+67  
SEE BELOW LEFT

MATCH LINE - 57+67  
SEE ABOVE RIGHT



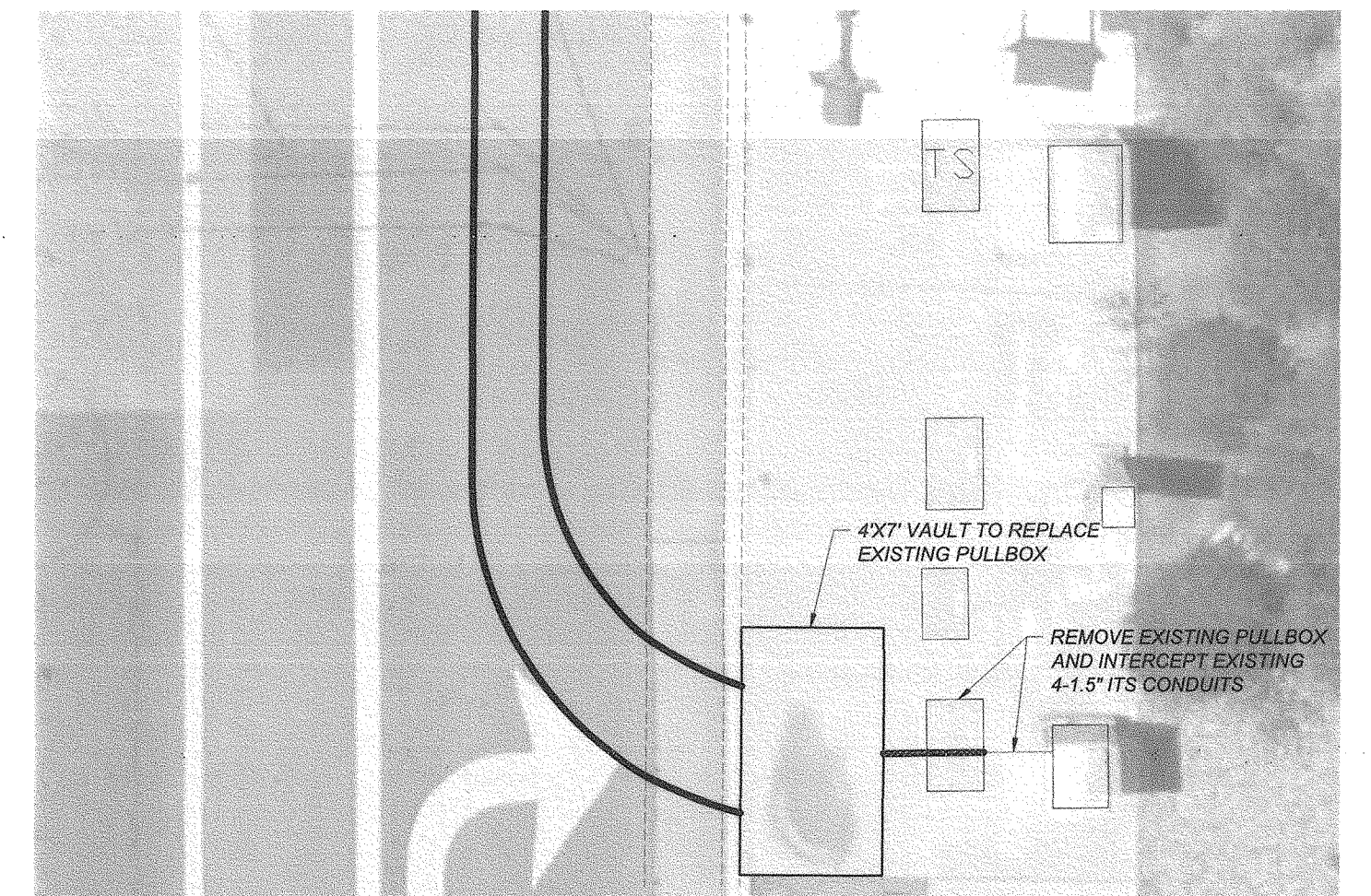
### N. FOWLER AVENUE

MATCH LINE - 70+33  
SEE SHEET 5

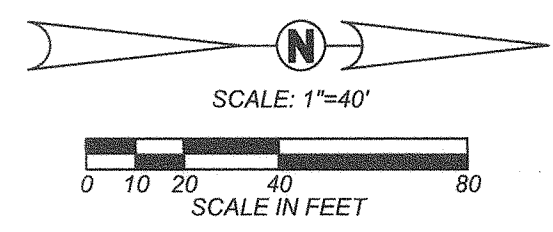
- LEGEND:**
- 4X7' VAULT PER CITY OF FRESNO STANDARD DRAWING ITS-13.
  - FIBER OPTIC CONDUIT PER CITY OF FRESNO STANDARD DRAWING ITS-5, OPTIONAL TRENCH OR DIRECTIONAL BORING INSTALLATION. TRENCHING IN EXISTING PAVEMENT REQUIRES APPROVAL FROM THE CITY OF FRESNO.
  - 6" S EXISTING SEWER MAIN, SIZE AS NOTED ON PLANS. DASHED LINES REPRESENT OUTSIDE DIAMETER.
  - 6" SD EXISTING STORM DRAIN MAIN, SIZE AS NOTED ON PLANS. DASHED LINES REPRESENT OUTSIDE DIAMETER.
  - ① 4X7' VAULT PER CITY OF FRESNO STANDARD DETAILS ITS-13 AND ITS-14. CITY OF FRESNO TO PROVIDE VAULT NUMBERS.
  - ② (6) 1-1/2" CONDUIT IN EXISTING VAULT PER CITY OF FRESNO DETAILS ITS-13 AND ITS-14. PROTECT EXISTING EQUIPMENT TO REMAIN.
  - ③ (6) 1-1/2" CONDUIT PER CITY OF FRESNO STANDARD DETAIL ITS-05 AND CITY OF FRESNO STANDARD SPECIFICATIONS.
  - ④ PROTECT EXISTING IMPROVEMENTS TO REMAIN. SEE NOTE 15 OF GENERAL NOTES ON SHEET 2.
  - ⑤ CONDUIT INSTALLATION NEAR EXISTING UTILITIES SIMILAR TO CITY OF FRESNO STANDARD DETAILS ITS-6 AND ITS-7.
  - ⑥ OVERHEAD ELECTRIC LINE TO BE RELOCATED BY OTHERS.
  - ⑦ 4X7' VAULT PER CITY OF FRESNO STANDARD DETAIL ITS-03.
  - ⑧ REMOVE EXISTING PULLBOX PER CITY OF FRESNO STANDARD DETAIL ITS-03. INTERCEPT EXISTING PIPE AND INSTALL IN NEW 4X7' VAULT PER CITY OF FRESNO ITS STANDARDS.

- NOTES:**
1. FIBER OPTIC FACILITIES SHOWN ON THESE PLANS ARE TO BE CONSTRUCTED PER THE CITY OF FRESNO STANDARDS FOR ITS FACILITIES.
  2. THE CITY OF FRESNO AND CLOVIS UNIFIED SCHOOL DISTRICT HAVE AN EXISTING AGREEMENT UTILIZING EXISTING ITS FACILITIES, AND THESE NEW FACILITIES SHALL BE ADDED TO THE AGREEMENT WITH THE SAME CONDITIONS.
  3. A MINIMUM 1' SEPARATION IS REQUIRED WHEN CROSSING ANY STRUCTURE OF OTHER UTILITY. SEE CITY OF FRESNO STANDARD SPECIFICATIONS.

BORE LOG					
STREET:		TO:			
DATE:		JOB #:			
LOCATION:		COMPANY:		LOCATION:	
START STATION:		CUSTOMER:		END STATION:	
VAULT ID	STATION	DEPTH	F/O/C	B/O/C	COMMENTS



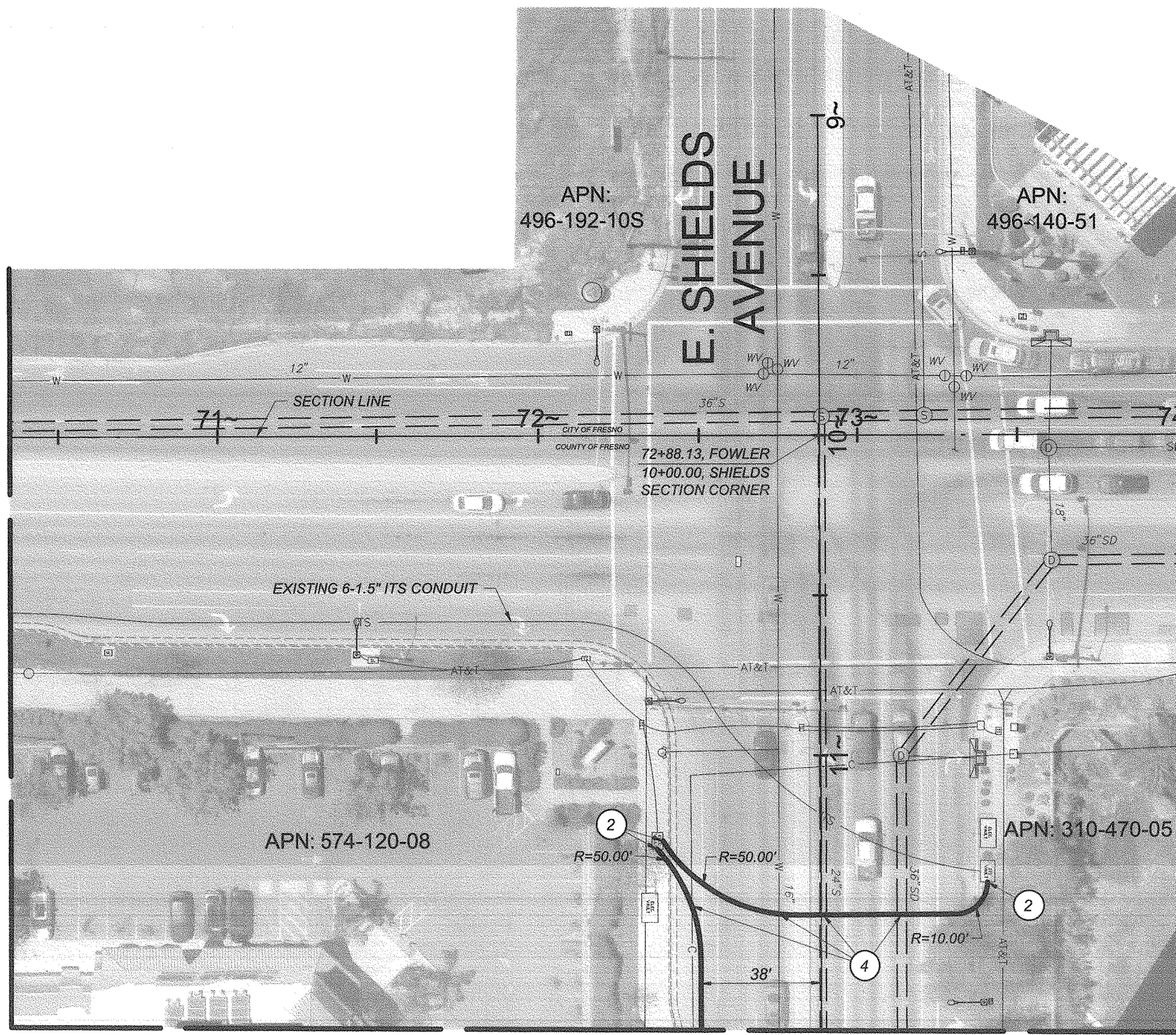
**A** REMOVAL AND INTERCEPTION OF EXISTING PULLBOX  
4-E-3721 SCALE: 1"=5'



**811**  
Know what's below.  
Call before you dig.

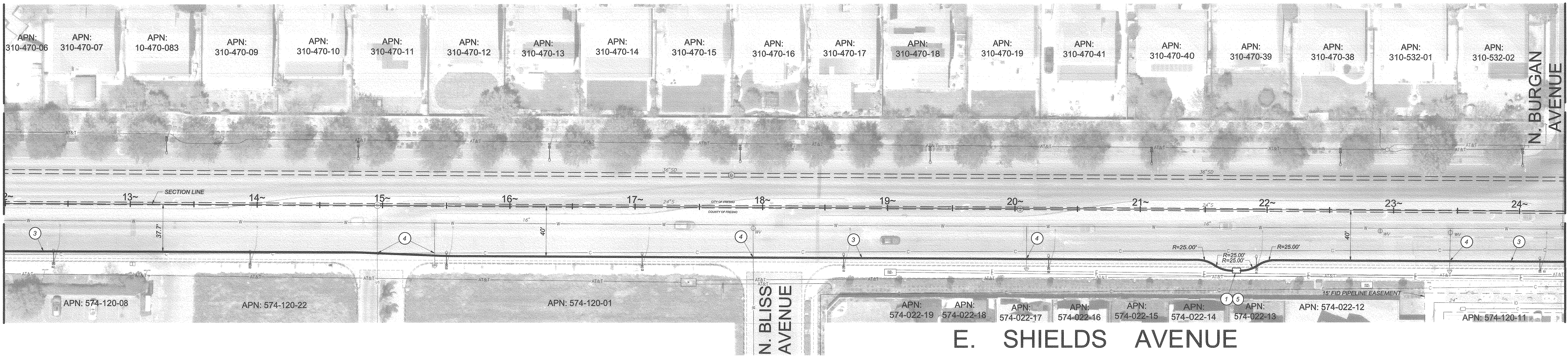
<b>Blair, Church &amp; Flynn</b> Consulting Engineers 451 Clovis Avenue, Suite 200 Clovis, California 93612 Tel (559) 328-1400 Fax (559) 326-1500	CONSULTANT FILE NO. 12777 PROJ. I.D. FUND NO. CRG NO. NO. REF. & REV. DATE 11-1-2023	<b>CITY OF FRESNO</b> DEPARTMENT OF PUBLIC WORKS APPROVED OFFICE ENG. <i>ST</i> CITY ENG. <i>AM</i> DRAWN BY: <i>DB</i> SHEET NO. 4 CHECKED BY: <i>DB</i> OF 6 SHEETS DATE: 09-22-23 SCALE: AS NOTED <b>4-E-3721</b>

MATCH LINE - 70+33  
SEE SHEET 4



**N. FOWLER AVENUE** MATCH LINE - 12+00.00  
SEE BOTTOM LEFT

MATCH LINE - 12+00.00  
SEE ABOVE RIGHT



MATCH LINE - 24+35.45  
SEE SHEET 6

**LEGEND:**

- 4x7' VAULT PER CITY OF FRESNO STANDARD DRAWING ITS-13.
- FIBER OPTIC CONDUIT PER CITY OF FRESNO STANDARD DRAWING ITS-5. OPTIONAL TRENCH OR DIRECTIONAL BORING INSTALLATION. TRENCHING IN EXISTING PAVEMENT REQUIRES APPROVAL FROM THE CITY OF FRESNO.
- EXISTING SEWER MAIN, SIZE AS NOTED ON PLANS. DASHED LINES REPRESENT OUTSIDE DIAMETER.
- EXISTING STORM DRAIN MAIN, SIZE AS NOTED ON PLANS. DASHED LINES REPRESENT OUTSIDE DIAMETER.
- 4x7' VAULT PER CITY OF FRESNO STANDARD DETAILS ITS-13 AND ITS-14. CITY OF FRESNO TO PROVIDE VAULT NUMBERS.
- (6) 1-1/2" CONDUIT IN EXISTING VAULT PER CITY OF FRESNO DETAILS ITS-13 AND ITS-14. PROTECT EXISTING EQUIPMENT TO REMAIN.
- (6) 1-1/2" CONDUIT PER CITY OF FRESNO STANDARD DETAIL ITS-05 AND CITY OF FRESNO STANDARD SPECIFICATIONS.
- PROTECT EXISTING IMPROVEMENTS TO REMAIN. SEE NOTE 15 OF GENERAL NOTES ON SHEET 2.
- CONDUIT INSTALLATION NEAR EXISTING UTILITIES SIMILAR TO CITY OF FRESNO STANDARD DETAILS ITS-6 AND ITS-7.
- OVERHEAD ELECTRIC LINE TO BE RELOCATED BY OTHERS.
- 4x7' VAULT PER CITY OF FRESNO STANDARD DETAIL ITS-03.
- REMOVE EXISTING PULLBOX PER CITY OF FRESNO STANDARD DETAIL ITS-03. INTERCEPT EXISTING PIPE AND INSTALL IN NEW 4x7' VAULT PER CITY OF FRESNO ITS STANDARDS.

**NOTES:**

1. FIBER OPTIC FACILITIES SHOWN ON THESE PLANS ARE TO BE CONSTRUCTED PER THE CITY OF FRESNO STANDARDS FOR ITS FACILITIES.
2. THE CITY OF FRESNO AND CLOVIS UNIFIED SCHOOL DISTRICT HAVE AN EXISTING AGREEMENT UTILIZING EXISTING ITS FACILITIES, AND THESE NEW FACILITIES SHALL BE ADDED TO THE AGREEMENT WITH THE SAME CONDITIONS.
3. A MINIMUM 1' SEPARATION IS REQUIRED WHEN CROSSING ANY STRUCTURE OF OTHER UTILITY, SEE CITY OF FRESNO STANDARD SPECIFICATIONS.

BORE LOG						
STREET:			TO:			
DATE:			JOB #:			
LOCATION:		COMPANY:		LOCATION:		
START STATION:		CUSTOMER:		END STATION:		
VAULT ID	STATION	DEPTH	F/O/C	B/O/C	COMMENTS	



**Blair, Church & Flynn**  
CONSULTING ENGINEERS

REGISTERED PROFESSIONAL ENGINEER  
STATE OF CALIFORNIA  
No. 45199  
EXPIRES 12/31/2023  
Date Signed: 09/27/2023

CONSULTANT: Blair, Church & Flynn Consulting Engineers  
451 Clovis Avenue, Suite 300  
Clovis, California 93612  
Tel (559) 328-4400  
Fax (559) 328-4500

FILE NO.: 12777  
PROJ. I.D.:  
FUND NO.:  
ORD. NO.:  
NO. REV. & REV. DATE:  
11-1-2023

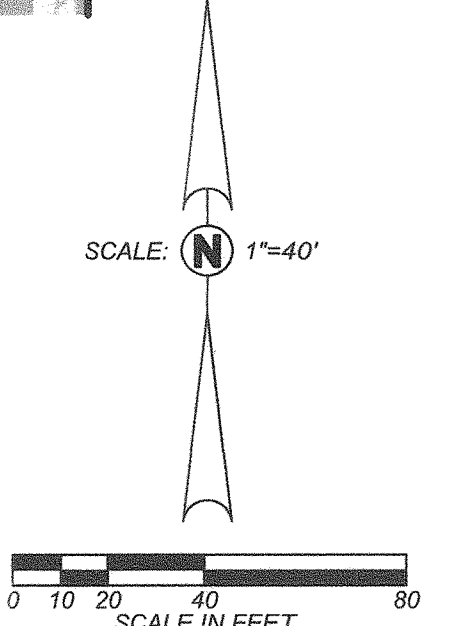
**CITY OF FRESNO** DEPARTMENT OF PUBLIC WORKS

APPROVED: [Signature]  
OFFICE ENG. [Signature] CITY ENG. [Signature]

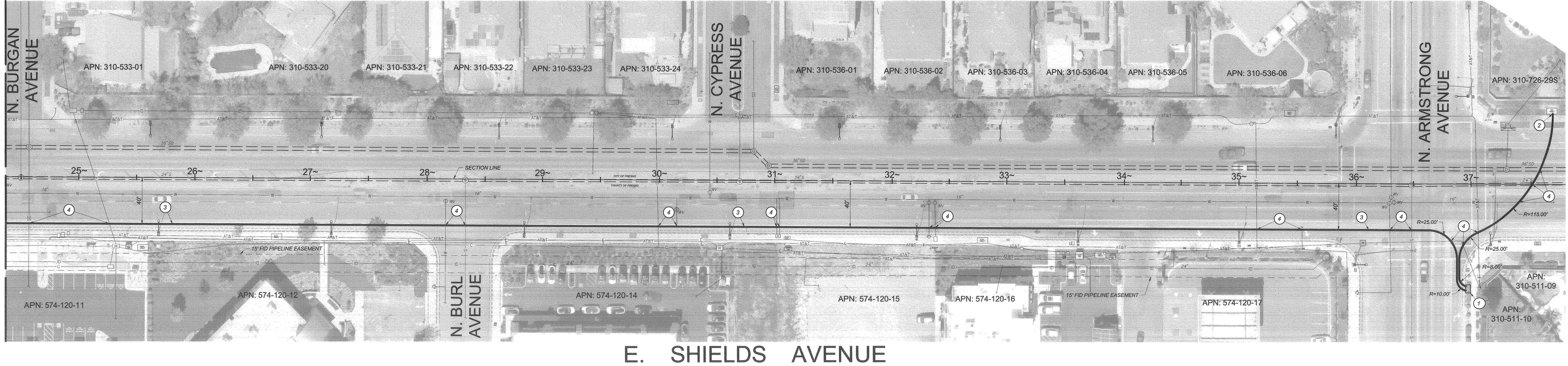
CLOVIS UNIFIED SCHOOL DISTRICT  
FOWLER AND MCKINLEY ELEMENTARY SCHOOL  
FIBER OPTIC CONDUIT  
FIBER OPTIC CONDUIT INSTALLATION

DRAWN BY: DG SHEET NO. 5  
CHECKED BY: JB OF 6 SHEETS  
DATE: 09/27/23  
SCALE: AS NOTED

4-E-3722



MATCH LINE - 24+35.45  
SEE SHEET 5



E. SHIELDS AVENUE

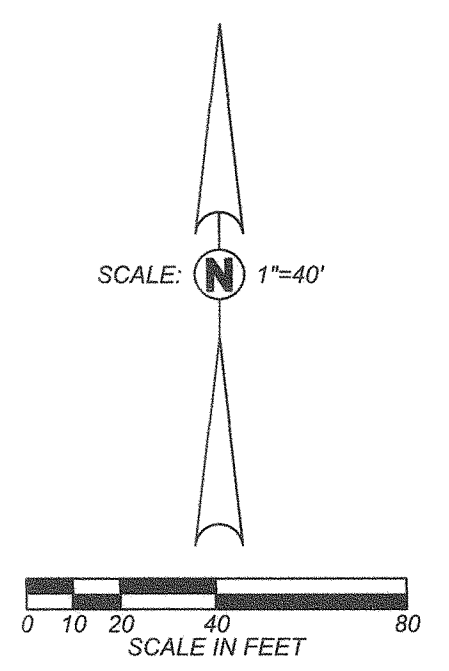
LEGEND:

- 4'X7' VAULT PER CITY OF FRESNO STANDARD DRAWING ITS-13.
- FIBER OPTIC CONDUIT PER CITY OF FRESNO STANDARD DRAWING ITS-5, OPTIONAL TRENCH OR DIRECTIONAL BORING INSTALLATION. TRENCHING IN EXISTING PAVEMENT REQUIRES APPROVAL FROM THE CITY OF FRESNO.
- EXISTING SEWER MAIN, SIZE AS NOTED ON PLANS. DASHED LINES REPRESENT OUTSIDE DIAMETER.
- EXISTING STORM DRAIN MAIN, SIZE AS NOTED ON PLANS. DASHED LINES REPRESENT OUTSIDE DIAMETER.
- 4'X7' VAULT PER CITY OF FRESNO STANDARD DETAILS ITS-13 AND ITS-14. CITY OF FRESNO TO PROVIDE VAULT NUMBERS.
- (6) 1-1/2" CONDUIT IN EXISTING VAULT PER CITY OF FRESNO DETAILS ITS-13 AND ITS-14. PROTECT EXISTING EQUIPMENT TO REMAIN.
- (6) 1-1/2" CONDUIT PER CITY OF FRESNO STANDARD DETAIL ITS-05 AND CITY OF FRESNO STANDARD SPECIFICATIONS.
- PROTECT EXISTING IMPROVEMENTS TO REMAIN. SEE NOTE 15 OF GENERAL NOTES ON SHEET 2.
- CONDUIT INSTALLATION NEAR EXISTING UTILITIES SIMILAR TO CITY OF FRESNO STANDARD DETAILS ITS-6 AND ITS-7.
- OVERHEAD ELECTRIC LINE TO BE RELOCATED BY OTHERS.
- 4'X7' VAULT PER CITY OF FRESNO STANDARD DETAIL ITS-03.
- REMOVE EXISTING PULLBOX PER CITY OF FRESNO STANDARD DETAIL ITS-03. INTERCEPT EXISTING PIPE AND INSTALL IN NEW 4'X7' VAULT PER CITY OF FRESNO ITS STANDARDS.

NOTES:

1. FIBER OPTIC FACILITIES SHOWN ON THESE PLANS ARE TO BE CONSTRUCTED PER THE CITY OF FRESNO STANDARDS FOR ITS FACILITIES.
2. THE CITY OF FRESNO AND CLOVIS UNIFIED SCHOOL DISTRICT HAVE AN EXISTING AGREEMENT UTILIZING EXISTING ITS FACILITIES, AND THESE NEW FACILITIES SHALL BE ADDED TO THE AGREEMENT WITH THE SAME CONDITIONS.
3. A MINIMUM 1' SEPARATION IS REQUIRED WHEN CROSSING ANY STRUCTURE OF OTHER UTILITY. SEE CITY OF FRESNO STANDARD SPECIFICATIONS.

BORE LOG					
STREET:		TO:			
DATE:		JOB #:			
LOCATION:		COMPANY:		LOCATION:	
START STATION:		CUSTOMER:		END STATION:	
VAULT ID	STATION	DEPTH	F/O/C	B/O/C	COMMENTS



Blair, Church & Flynn  
CONSULTING ENGINEERS

CONSULTANT  
Blair, Church & Flynn  
Consulting Engineers  
451 Clovis Avenue,  
Suite 200  
Clovis, California 93612  
Tel (559) 326-1400  
Fax (559) 326-1500

FILE NO. 12777  
PROJ. I.D. \_\_\_\_\_  
FUND NO. \_\_\_\_\_  
ORD NO. \_\_\_\_\_

NO. REF. & REV. DATE  
11-1-2023

09/27/2023 Date Signed

CITY OF FRESNO DEPARTMENT OF PUBLIC WORKS

CLOVIS UNIFIED SCHOOL DISTRICT  
FOWLER AND MCKINLEY ELEMENTARY SCHOOL  
FIBER OPTIC CONDUIT  
FIBER OPTIC CONDUIT INSTALLATION

OFFICE ENG. CITY ENG.   
DRAWN BY: DG SHEET NO. 6  
CHECKED BY: JB OF 6 SHEETS  
DATE: 09-27-23  
SCALE: AS NOTED 4-E-3723

Drawing: P:\2023\17036\clovis\school\mckinley\4-E-3723.dwg, 07/06/2023, 8:57:08 AM  
Plot by: gignea Nov 01, 2023 2:25pm